

UK F NL D I H RUS CZ PL SK RO



INSTRUCTION MANUAL



ABOUT YOUR FOX BOAT

Thank you for purchasing a Fox boat. If cared for properly you should get many years of pleasure out of it. These boats can be inflated and assembled in about 30mins, making trips from the car to the water practical without the need for a trailer and perfect for fishing sessions. This manual will help you to familiarise yourself with the boat and help you to keep it in the best possible condition. Keep this manual onboard in a dry area. Should you sell the boat make sure to provide the new owner with the manual.

YOUR BOAT AND THE ENVIRONMENT

- The environment is fragile, please use your boat with the utmost respect for the environment.
- Avoid exceeding the noise threshold and producing excessive fuel vapours.
- Your boat generates waves and noise that can be detrimental to the natural environment.
- Respect local boating laws and regulations.

SAFETY INSTRUCTIONS

- Read the instructions carefully.
- Not for use in the sea.
- Carefully read the instruction manual provided with your choice of outboard engine should you choose to use one.
- It is the responsibility of the boat operator to learn and know the laws applicable to a boat and abide by them regarding how it is to be equipped and operated.
- The applicable laws and regulations in force may change and differ according to the following factors:

- the location where the boat is commissioned
- the requirements of the local authorities
- the type of use of the boat
- the time of day
- the operating conditions
- the size, speed, route, type of boat (power, oars, etc.)
- the navigation mode

- All passengers onboard must wear appropriate clothing and have a life jacket.
- Make sure that the boat's standard equipment (oars, air pump and repair kit) is on board. Survival equipment other than the mandatory items is sometimes necessary.
- An individual under the influence of drugs or alcohol is not in a condition to pilot a boat.
- Do not exceed the maximum load rating and the maximum engine power indicated on the boats manufacturers plate.
- Special attention should be given to wind and tides, as their variation has certain effect on fuel consumption.
- If you plan to navigate in unfamiliar waters, consult with those familiar with the area concerning possible hazards and dangers.
- Always report your time and point of departure, your route and your estimated time of return to someone on shore.
- Do not navigate in the dark or in hazardous conditions if correct navigation lighting has not been installed.
- Do not use a compressed air source to inflate the boat. Over inflation may cause the seams and/or walls to rupture.
- Whether oars or a small outboard motor is used depends on conditions. The power may not be enough to counter tidal currents, small channels or shallow water.
- Respect the maximum power ratings! An excessively powerful motor may cause dangerous manoeuvrability and stability difficulties with serious consequences.
- Equip your outboard engine with an emergency kill-switch cord. This switch will stop the engine if the operator should pull the cord, for any reason whatsoever.
- Regularly check that the engine is securely fastened. Loose screws may make the craft uncontrollable, or result in the engine becoming unattached!

NAVIGATION WARNINGS

- All passengers must be seated inside the boat and must be able to hold onto one or two hand holds. Do not sit on the floaters.
- Outboard engines are dangerous. Rough handling of your tender may lead to serious injury or death. Never equip a boat with an engine for which it is not adapted. Stay clear of swimmers and do not allow them to approach the rear of the boat when the engine is running.
- Avoid rapid accelerations which may cause passengers to fall overboard.
- Weight must be evenly distributed. Do not accelerate suddenly if your boat is motorised and not heavily laden. A poorly controlled boat may result in stability and manoeuvring problems.
- Avoid sand banks and shallow water or approach with extreme caution.
- If one of the floaters become punctured while underway, shift the load of the boat to the opposite side. Try to limit the leak with your hand or a strap and head for the nearest shore as quickly as possible.
- Do not allow children to drive the boat unsupervised by adults.
- Always bring your oars along snapped in place.

DOCKING

- Do not use the engine when landing on the beach.
- Avoid sharp objects when coming to dock or shore.
- Do not drag the boat over rocks, sand, shingles or tarred surfaces.
- Always carry the boat.
- Cover the boat when leaving it in the sun out of the water for long periods of time.
- If leaving the boat on a beach leave part of the boat in the water to cool the boat and avoid floater overpressure.
- It is not recommended that you tow the boat the front ring is for mooring or securing an anchor line to only.

FOOTPUMP WARNING:

- Do not use a compressed air source to inflate the boat. Over inflation may cause the seams and/or walls to rupture.
- Use the specially designed pump to inflate your boat.
- The Foot Pump can deliver the air pressure needed to fully inflate your boat. To inflate, insert the hose into the "outlet" hole on the pump. We firmly recommend you always carry your foot pump on board for safety.
- Before undertaking a long trip, inflate the boat for a full 24 hours to be sure all chambers are completely airtight.

CAUTION:

Before boarding, always check the boat is adequately inflated.

SLAT DECK BOAT ASSEMBLY INSTRUCTIONS

1. Clear a flat space (making sure it is clean and free of sharp objects) to unfold your boat. Remove the hull from its box and take it out of the boat bag. Unroll the hull so it laid out flat.
2. Inflate the boat with the high pressure foot pump to 90%. Start to pump up the boat on the tube section with the overpressure security valve.

Note: Do not use an air compressor. Damage to your boat caused by over inflation from an air compressor is not covered by your warranty.

3. Install the wooden seat by sliding the flanges on the bottom of the seat onto the rails located on the side floaters.
4. Finish inflating all hull chambers to 100%, or 0.25bar pressure. The boats main tube has a built in overpressure valve for added security.
5. Secure the oars by clipping into the oar locks.

DEFLATION

Remove the outer valve caps to expose the plastic stem on the inner valve. Press the stem in to release air pressure, and turn it to lock the valve in the open position. Deflate each hull chamber to 50-75% before completely deflating any of the air chambers. Remove and disassemble floorboards.

Note: Do not deflate one chamber fully while others are fully inflated. This could damage the bulkheads of your boat.

MAINTENANCE & STORAGE

- To clean hose off sand and dirt and let dry before fully packing away. Most dirt can be removed with a garden hose, a sponge and mild soap. Do not use harsh chemical cleaners.
- Never use polishing or cleaning products containing alcohol to clean your watercraft. Doing so may lead to the premature drying out of the floater material.
- Store in a clean and dry place. Do not store in extreme temperatures (i.e. over 150F/below - 10F).
- If storing your boat for long periods folded up in the bag, ensure it is fully dry, do not sprinkle with talc or other similar powders.
- Can be stored inflated or deflated.
- If left outside it is advisable to raise it up off the ground.
- If it is going to be in direct sunlight or exposed to leaves, berries or rain, cover it with a tarp.
- Hanging the boat is not recommended.
- If you leave the boat in the water, you will probably have to drain out rainwater at times. If you store it in a closet, basement or garage, we suggest you pick a cool, dry spot, making sure the boat is clean and dry before you pack it up - or mold can accumulate.
- Never store a boat with fuel in the tank in a room where the fuel vapours may reach a flame, spark or a strong source of heat.

TROUBLESHOOTING

1. Leaks

After 2 or 3 days there may be a small decrease of pressure due to temperature change. If so, add a few pumps of air into each chamber. If you are losing air pressure, and it isn't due to colder temperatures, check the boat over for leaks, starting with the valves. The best tool to find leaks is soapy water in a spray bottle. A leaking valve is rare, but if you do find a leak we can send you a replacement valve. We recommend mixing soap and water in a spray bottle. Spray around the valve. If you see bubbles forming, check your valve seating and base and be sure the valve insert is screwed tight. If you continue to have problems it's probably time to order new valves. Replacement of the whole valve can be done with a simple tool that comes with the replacement valve.

2. Finding punctures

If the boat is losing air, and all the valves are good you probably have a small puncture. Small punctures can be repaired easily and permanently. Spray around inside and outside of the hull until air bubbles mark the position of the leak. If you have no luck finding a slow leak with air bubbles, inflate the boat to maximum air pressure and try to listen to find the leak. If you can narrow the area down, return with a spray bottle to identify the source of the leak. Making small repairs. Punctures less than 3mm / 1/8" in size can be repaired simply without a patch. Deflate your boat, then clean and dry area to be repaired. Apply a small drop of glue to cover the puncture, and let dry 12 hours. If you need to get on the water sooner, let dry 30 minutes and then inflate the boat, inflating the compartment with the repair only 3/4 full. This repair might not be permanent so add a drop again at a late date to make it permanent.

3. Rips or Tears

Your Boats come with a repair kit as standard equipment. If you no longer have your repair kit,

you can order a new one from your dealer. Cut a piece of repair material large enough to overlap the damaged area by approximately 12mm / 1/2", and round off the edges. Apply our glue to the under side of patch and around the area to be repaired. Too much glue will interfere with a proper repair. Allow adhesive to become tacky for 2-4 minutes, and then place patch on the damaged area. Use a weight to apply 3-5 lbs. of pressure for 12 hours. After patch has dried, apply glue around the edges for a complete seal (dry 4 hours).

4. Large and Difficult Repairs

If you have a difficult repair, contact customer services and we will advise you on the best way to fix your boat.

5. If you see water coming into the boat, check the following:

- Is the drain valve open?
- Is the diaphragm in the drain valve working properly?
- Has it rained recently?
- Is there a hole in the floor?

Warranty Registration

You can register a warranty for this product online at the Fox website - www.foxint.com. Log in or create an account to start the registration process. You will need the product code, date of purchase and place of purchase to complete the registration. After registration make a note of your Customer Reference code to view warranty details via your Fox website account.

The warranty does not cover the following:

- Over inflation of tubes no more than 0.25bar/3.63psi
- Air loss due to temperature differences
- Air loss through the pressure valve in hot conditions
- Folding marks. This is normal, and these will disappear during use.
- Glue residue. All Fox boats are handmade and the occasional glue mark may be visible.

- Small imperfections on glued parts, which do not affect the usability.
- Low air loss within 48 hours (up to 20% air loss in comparison to operating pressure).
- Damage caused by the use of solvents of any kind
- Damage caused by battery acid, oil and fuel.
- Damage caused by nail polish, suntan lotion / oil.
- Damage caused by insect repellent.
- Damage caused by improper use.
- Damage caused by high pressure cleaning.
- Damage caused by the use of aggressive cleaning agents.
- Damage caused by incorrect assembly and disassembly of the boat.
- Damage caused by improper storage, poor ventilation.
- Damage caused by inadequate cleaning and maintenance of the boat.
- Damage in transit.
- Damage caused by use of pressure compressors to inflate or deflate the boat.
- Damage due to normal wear and tear.
- Damage caused by use of force.
- Damage caused by animals on or in the boat.
- Damage caused by water in the tube interior.
- Damage to the hull as a result of carelessness, as well as external influences.
- Damage caused by participation in racing events of any kind.
- Damage caused by use of non-approved accessories.
- Damage caused by exceeding the maximum acceptable power KW / HP as well as the permissible engine weight.
- Damage caused by exceeding the permissible payload, and the recommended number of people.

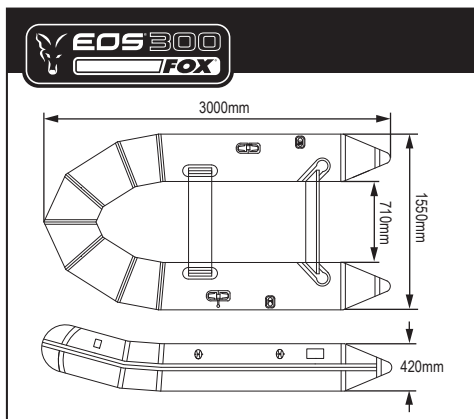
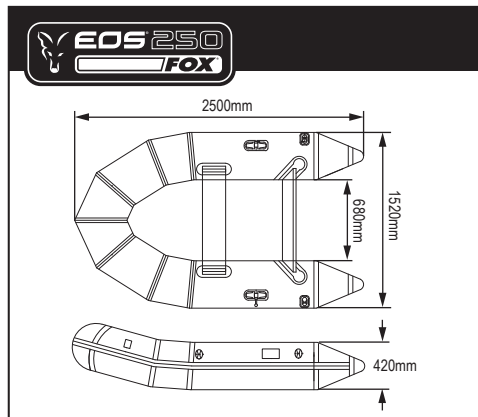
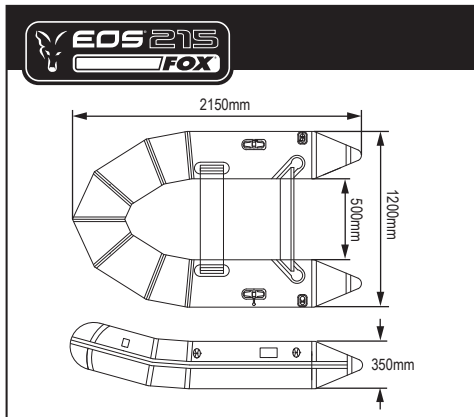
*Your statutory rights shall remain unaffected.

If you have a problem with your boat that is covered by the warranty you should proceed as follows:

1. Contact your place of purchase and explain the problem.
2. The retailer will need to send Fox a photograph and explanation of the problem along with proof of purchase.
3. We will confirm if the problem is covered by the warranty.
4. Once confirmed the retailer has to send a courier return request to Fox and we will arrange collection of the boat.
5. We will then review the boat and arrange repair or replacement accordingly.

BOAT SPECIFICATION

Model	Floor	Length (cm)	Width (cm)	Chambers	Tube (cm)	Persons	Max Load (kg)	Power (hp)
Fox EOS 215 Green	Slat	215	120	3	35	1	200	2.95
Fox EOS 250 Green	Slat	250	152	3	42	2	260	6.7
Fox EOS 300 Green	Slat	300	155	3	42	4	416	9.5



DECLARATION OF CONFORMITY

Hereby, Fox International Group Ltd declares that the Fox EOS Boats (CIB036 & CIB037) are in compliance with (EU) Recreational craft and personal watercraft - Directive 2013/53/EU and (UK) Recreational Craft Regulations 2017.

The Declaration of Conformity can be found at the following address:

<https://www.foxint.com/home/support/declarations-of-conformity/>

www.foxint.com

eurocustomerservices@ratheroutdoors.com

AU SUJET DE VOTRE BATEAU FOX

Merci d'avoir accordé votre confiance aux annexes Fox boat. Pour une utilisation parfaite, ces annexes vont vous garantir un plaisir pour de nombreuses années. Ces bateaux peuvent être gonflés et assemblés en environ 30mins, rendant leur transport facile, notamment de la voiture à l'eau sans avoir besoin d'une remorque ou d'une rampe de mise en eau. Ce manuel va vous permettre de vous familiariser avec ces bateaux et de les maintenir dans un parfait état. Gardez ce manuel à bord du bateau dans un endroit à l'abri de l'humidité. Si revente du bateau il y a, merci de joindre ce manuel pour les futurs utilisateurs.

VOTRE BATEAU ET L'ENVIRONNEMENT

- La nature est fragile, merci d'utiliser votre embarcation dans le plus grand respect de cette dernière.
- Merci d'éviter le bruit et les excès de consommation de carburant.
- Votre embarcation génère des vagues et du bruit qui peuvent être néfastes pour l'Environnement.
- Respectez les règles de navigation et les lois en vigueur.

INSTRUCTIONS DE SÉCURITÉ

- Lisez les recommandations avec attention.
- Non compatible avec une utilisation en mer.
- Lisez avec attention le manuel d'instruction de votre moteur thermique ou mode de propulsion électrique.
- Il est de la responsabilité de l'utilisateur du moteur de connaître et d'apprendre les lois de navigation en vigueur avant toute utilisation.
- Ces règles et lois peuvent changer et différer suivant ces facteurs:
 - Le lieu de mise en service de votre bateau.
 - Des règlements émis par les autorités locales.
 - Le genre d'utilisation de votre embarcation.
 - Le moment de la journée.
 - Les conditions d'utilisation.

- La taille, vitesse, quille et type de bateau (puissance, rames, ect.)
- Le mode de navigation.

- Chaque passager embarqué se doit de porter des vêtements adéquats et un gilet de sauvetage.
- Prenez soin de vous assurer que les équipements standard (rames, pompe et kit réparation) soient toujours à bord. Certains équipements de survie supplémentaires sont très souvent obligatoires.
- Un individu sous l'influence de stupéfiants ou dans un état alcoolisé n'a pas sa place à la manœuvre de l'embarcation.
- Ne pas dépasser la charge maximum indiquée ainsi que la puissance moteur sur la plaque fabriquant.
- Une attention particulière sera donnée aux courants et vents, car leur puissance peut fortement interférer sur la consommation des moteurs.
- Si vous naviguez sur des eaux inconnues, veuillez vous informer des dangers et risques auprès des autorités ou locaux.
- Toujours communiquer votre heure et lieu de départ, votre route et votre heure approximative de retour à une personne restée sur la rive.
- Ne naviguez pas dans le noir ou dans des conditions climatiques dangereuses si vous ne disposez pas de signalisation lumineuse.
- Ne pas utiliser d'air comprimé pour gonfler votre embarcation. Un sur-gonflage de l'embarcation peut entraîner de gros dommages, des éclatements ou des ruptures de parois.
- Peu importe le moyen de propulsion, moteur ou rames, la puissance ne sera jamais suffisante pour contrer un vent de terre, une marée ou un fort courant inverse
- Respectez la puissance maximale conseillée. Une sur-puissance peut vous conduire à de graves accidents et modifier la flottabilité de l'embarcation.

- Équipez votre moteur d'un coupe circuit, de type corde, que le conducteur pourra actionner dans n'importe quelle situation.
- Vérifiez régulièrement que votre moteur est correctement fixé. Un jeu dans la fixation entraîne un mauvais fonctionnement du moteur, une perte de puissance et de contrôle et peut entraîner la perte de ce dernier!

RÈGLES DE SÉCURITÉ EN NAVIGATION

- Tous les passagers doivent se tenir à l'intérieur du bateau et doivent se tenir à une ou deux mains à l'embarcation. Ne pas s'asseoir sur les boudins.
- Les moteurs sont dangereux. Une mauvaise utilisation peut causer de sérieux accidents. Ne jamais équiper un bateau d'un moteur mal adapté. Tenez-vous éloigné des nageurs et veuillez vous assurer de les tenir éloignés de vous lorsque le moteur est en fonctionnement.
- Faire de brusques accélérations peut provoquer la chute de vos passagers.
- La charge doit être répartie. N'accélérez jamais brusquement lorsque votre bateau est motorisé et en surcharge. Un bateau mal équilibré peut rendre les manœuvres et le contrôle compliqués.
- Évitez le sable peu profond et les eaux peu profondes ou approchez avec une extrême prudence
- En cas de dommage sur l'un des boudins, transférez le poids à l'opposé de ce dernier. Tentez de limiter la perte d'air avec votre main ou une bande et regagnez immédiatement la berge la plus proche.
- Ne laissez pas des enfants utiliser le bateau sans surveillance d'adultes.
- Maintenez en permanence vos rames en place sur les flancs de votre bateau.

PROCÉDURE DE MISE À L'EAU

- Ne pas utiliser de moteur lors d'un départ depuis une plage
- Prenez bien soin d'éviter tout objet pointu ou

coupant lorsque vous accostez ou mettez votre bateau à l'eau.

- Ne traînez jamais votre embarcation sur les rochers, sable, graviers ou surfaces abrasives.
- Portez toujours votre bateau.
- Couvrez toujours votre bateau pour le protéger du soleil et de l'eau lorsqu'il est à l'amarre pour de très longues périodes.
- Lorsque vous accostez votre bateau sur une plage, laissez une partie du bateau en eau pour éviter les risques de suppression des boudins
- Il n'est pas recommandé de remorquer votre bateau via l'anneau de tête, ce dernier est prévu pour le mouillage avec une ancre ou pour le sécuriser sur la berge.

POMPE À PIED ATTENTION:

- Ne jamais utiliser de compresseur pour gonfler votre bateau. Un sur-gonflage de votre embarcation peut entraîner un éclatement ou la rupture des parois.
- Utilisez la pompe prévue à cet effet..
- La pompe à pied offre la puissance nécessaire pour correctement gonfler votre embarcation. Pour gonfler, insérez l'embout dans la partie sortie d'air « outlet » de la pompe. Nous vous recommandons fortement de toujours avoir à bord la pompe pour plus de sécurité.
- Lors de longs déplacements en bateau, nous vous recommandons de gonfler votre embarcation 24h avant votre départ afin de vous assurer que les chambres sont bien en complète tension et gonflage.

MISE EN GARDE:

Avant tout départ, assurez vous que votre bateau est prêt et complètement gonflé.

NOTICE D'ASSEMBLAGE POUR BATEAU A PLANCHER A LATTES

1. Débarrasser un espace bien à plat (s'assurer qu'il n'y ait aucun objet pointu ni coupant) pour y déplier votre bateau. Sortir la coque

du sac de transport. La dérouler à plat.

2. Gonfler le bateau avec la pompe à pied haute pression jusqu'à 90% du gonflage maxi. Toujours commencer par la section tube qui porte la valve de sécurité de surpression.

ATTENTION: Ne jamais utiliser de compresseur pour gonfler votre bateau. Un sur-gonflage de votre embarcation peut entraîner un éclatement ou la rupture des parois.

3. Installer le banc en bois en faisant glisser les brides situées sous le banc dans les rails situés sur les boudins latéraux de l'embarcation.
4. Compléter le gonflage de tous les boudins jusqu'à 100% de la pression indiquée, ou bien jusqu'à 0.25 bars. Le boudin principal du bateau possède une valve de surpression pour plus de sécurité.
5. Sécuriser les rames en les clipsant sur les dames de nage.

DEGONFLAGE

Retirez les capsules des valves afin d'exposer les valves intérieures. Appuyez sur les boutons en plastique des valves intérieures et tournez les afin de les maintenir automatiquement en position ouverte. Dégonflez la quille et le plancher à 50 ou 75% avant de dégonfler complètement les boudins. Puis retirez le plancher gonflable.

Note: Ne jamais dégonfler complètement une chambre seule. Cela pourrait endommager irrémédiablement les cloisons.

MAINTENANCE & STOCKAGE

- Nettoyez les valves et l'intérieur du bateau de tout résidu de sable et séchez complètement votre bateau avant tout rangement. Le plus gros des impuretés peut être retiré grâce à un

rinçage au tuyau d'arrosage, une éponge et un savon doux. Ne jamais utiliser de détergents chimiques.

- Ne jamais utiliser de solutions lavantes ou lustrantes à base d'alcool. Leur utilisation rendrait les matériaux de flottaison prématurément poreux.
- Stockez dans un endroit propre et sec. Ne jamais stocker dans des conditions extrêmes de températures (+65°C Max - -20°C Mini)
- Si vous désirez mettre à l'hivernage votre embarcation pour une très longue période, pliez le soigneusement et ranger le dans son sac en vous assurant qu'il est complètement sec et sans résidu d'humidité. N'épandez pas de talc ou autres poudres.
- Votre embarcation peut être hivernée gonflée ou dégonflée.
- Si stockage en extérieur, nous vous conseillons de l'isoler du sol
- Si le bateau est amené à être exposé au soleil, conditions climatiques, feuilles, poussière, il est conseillé de le couvrir d'une housse
- Suspendre votre bateau est fortement déconseillé.
- Si vous maintenez votre bateau en eau, prenez soin régulièrement de le vider des eaux de pluie. S'il est stocké dans un garage, une remise ou un local, tenez le à l'écart de l'humidité et de la saleté avant de le remballer, les traces d'humidité et moisissures sont les ennemis de votre bateau au stockage.
- Ne jamais stocker votre embarcation avec le réservoir de votre moteur plein si les vapeurs sont mal ventilées et si elles peuvent entrer en contact avec une flamme, étincelles ou toute autre source de chaleur

RÉSOLUTION DES PROBLÈMES

1. Fuites

Après 2 ou 3 jours d'utilisation, il est normal d'avoir une légère perte de pression dans les chambres suite aux changements de température. Si c'est le cas, ajoutez quelques coups de pompes dans chaque boudin. Si ce

problème n'est pas dû à de faibles températures, inspectez votre bateau à la recherche de fuites à commencer par les valves. Le meilleur outil pour rechercher d'éventuelles fuites est un spray d'eau savonneuse. Aspergez autour des valves. Si vous observez la formation de bulles, vérifiez la bonne fermeture de la valve et son serrage. Si le problème persiste, il est possible de changer les capuchons de valves. Le remplacement du système de valve complet est possible grâce à l'utilisation de l'outil fourni avec la valve de remplacement.

2. Crevaison

Si le bateau perd de la pression, et que l'ensemble des valves est étanche, on peut être en présence d'une simple crevaison. Les petites crevaisons sont facilement réparables et permanentes dans le temps. Aspergez les flancs intérieurs et extérieurs avec de l'eau savonneuse à la recherche de bulles. Si vous ne parvenez pas à détecter la fuite grâce aux bulles, sur gonflez légèrement votre bateau et écoutez silencieusement la présence de fuite. Une fois la zone localisée, trouvez la fuite grâce au spray d'eau savonneuse. Réalisez la petite réparation. Les crevaisons de moins de 3mm peuvent être réparés simplement sans l'utilisation de rustine. Dégonflez votre bateau, nettoyez soigneusement la zone et séchez là. Déposez quelques gouttes de glue sur la crevaison et laissez sécher 12h. Si vous devez utiliser le bateau, laissez sécher 30min et ensuite regonflez le bateau et gonflez le compartiment réparé uniquement à 75%. Cette réparation rapide ne sera pas permanente et une nouvelle touche de glue sera à refaire par la suite pour la rendre permanente.

3. Déchirures et accros

Votre bateau est fourni avec un kit réparation comme équipement standard. En cas d'utilisation ou de perte, il est possible de commander des kits supplémentaires chez votre vendeur. Coupez une pièce de matériel de

réparation suffisamment large afin de recouvrir la zone à réparer de plus de 12mm et arrondissez les angles de cette pièce. Déposez de la colle sur la partie inférieure du patch et sur la zone à réparer. Trop de colle affectera la réparation. Attendez le point d'adhésion environ 2 à 4 min après avoir appliqué la colle.

Appliquez le patch sur la zone puis appliquez une pression de 2 à 3 kg lors d'une durée de 12h. Une fois le patch scellé, appliquez des touches de colle autour des angles pour finir la réparation et laissez sécher 4h.

4. Réparations larges et difficiles

Si vous avez des réparations difficiles ou étendues, contactez notre service après vente pour prendre conseil sur les opérations à effectuer.

5. Si vous trouvez la présence d'une voie d'eau, veuillez vérifier:

- si la valve de vidange n'est pas ouverte.
- si la membrane de la valve de vidange fonctionne correctement.
- si ce n'est pas de l'eau provenant de pluies.
- si il n'y a pas la présence d'un trou dans le planché.

Enregistrement de la garantie

Il est possible d'enregistrer la garantie de ce produit en ligne sur notre site www.foxint.com. Il vous suffit de vous identifier ou de créer un compte pour entamer l'enregistrement de garantie. Il vous faudra le code produit, la date et le lieu de votre achat pour compléter l'enregistrement de garantie. Bien prendre note de votre numéro de référence client pour accéder à vos informations de garantie.

La garantie ne couvre pas les points suivants:

- Les problèmes dus à sur gonflage au-delà de 0.25bar/3.63psi
- La perte de pression due aux variations de température

F

- La perte d'air à travers les valves de pressions par temps très chaud
- Les marques de pli. Elles sont normales, et disparaissent au fur et à mesure que l'on utilise le bateau
- Résidus de colle. Tous les bateaux Fox sont faits à la main et des marques de colles peuvent occasionnellement être visibles
- Les petites imperfections sur les parties collées, qui ne gênent en rien l'utilisation
- Les faibles pertes d'air sur 48h (jusqu'à 20% par rapport à la pression maxi recommandée)
- Dommages causés par l'utilisation de solvants quelconques
- Dommages causés par le carburant, l'acide de batterie ou l'huile
- Dommages causés par les crèmes solaires, vernis à ongle, huiles
- Dommages causés par les répulsifs pour moustiques
- Dommages causés par les utilisations inappropriées
- Dommages causés par le nettoyage par haute pression
- Dommages causés par des agents nettoyants actifs
- Dommages causés par un montage/démontage incorrect du bateau
- Dommages causés par un stockage impropre, un manque de ventilation
- Dommages causés par une maintenance ou un nettoyage inappropriés
- Dommages en cours de transport
- Dommages causés par l'utilisation d'un compresseur à air pour le gonflage/dégonflage des bateaux
- Dommages causés par l'usure normale au fil du temps
- Dommages causés par l'utilisation d'une force excessive dans les manipulations
- Dommages causés par les animaux sur ou dans le bateau
- Dommages causés par de l'eau à l'intérieur des chambres gonflables

- Dommages à la coque dues à un manque de précaution, et aux influences externes
- Dommages causés par l'utilisation d'accessoires non approuvés
- Dommages causés par l'utilisation d'un moteur de puissance supérieure à la puissance maxi indiquée en KW/HP
- Dommages causés par une charge dépassant la charge maxi indiquée, et/ou le nombre maxi de passagers indiqué

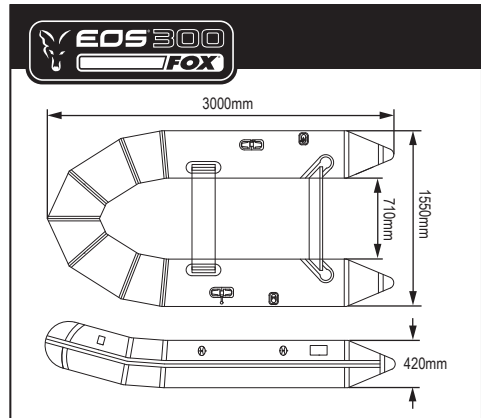
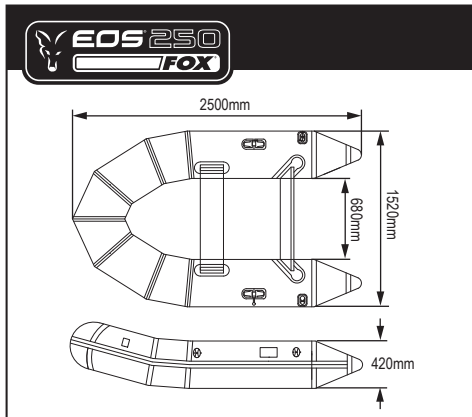
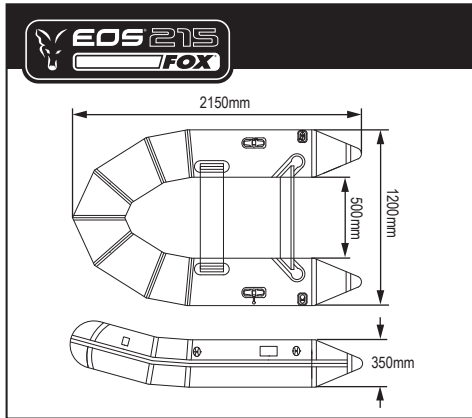
* Vos droits statutaires ne sont pas affectés.

Si vous rencontrez un problème avec votre bateau qui vous semble être couvert par la garantie, voici comment procéder:

1. Contacter le point de vente et expliquer le problème
2. Le revendeur fournit à Fox une description du problème rencontré, avec photo et preuve d'achat
3. Fox confirme la prise en charge sous garantie en fonction des informations reçues
4. Une fois la prise en charge confirmée, le revendeur envoie une demande de prise en charge transporteur chez Fox, qui organise la collecte du bateau
5. Une fois réceptionné, Fox engagera les réparations ou le remplacement intégral du bateau en fonction du problème rencontré

CARACTÉRISTIQUES

Mode	Plancher	Longueur (cm)	Largeur (cm)	Boudins	Dia (cm)	Personnes	Charge Max (kgs)	Power (hp)
Fox EOS 215 Green	Slat	215	120	3	35	1	200	2.95
Fox EOS 250 Green	Slat	250	152	3	42	2	260	6.7
Fox EOS 300 Green	Slat	300	155	3	42	4	416	9.5



LA DÉCLARATION DE CONFORMITÉ

Le groupe Fox International Ltd déclare par la présente que les embarcations Fox EOS Boats (CIB036 et CIB037) sont en conformité avec (UE) Directive 2013/53/EU sur les embarcations de plaisance et embarcations individuelles de loisirs, ainsi qu'avec (UK) le Recreational Craft Regulations 2017.

La déclaration de conformité est disponible à l'adresse suivante:
<https://www.foxint.com/fr/services/documents-contractuels/>

www.foxint.com

eurocustomerservices@ratheroutdoors.com

OVER UW FOX BOOT

Hartelijk dank voor het aanschaffen van een Fox boot. Indien zorgvuldig behandeld zult u er vele jaren plezier aan beleven. Deze boten kunnen in ongeveer 30 minuten opgeblazen en samengesteld worden, wat transport van de auto naar het water zeer praktisch maakt zonder noodzaak van een aanhanger, perfect voor vissessies. Deze handleiding zal u helpen bekend te raken met de boot en deze in de best mogelijke conditie te houden. Houd deze handleiding dan ook op een droge plek aan boord. Zou u de boot verkopen geef de handleiding dan ook mee aan de nieuwe eigenaar.

UW BOOT EN HET MILIEU

- Het milieu is kwetsbaar, gebruik uw boot met het grootste respect voor het milieu.
- Voorkom overmatig lawaai en het produceren van overmatige brandstofdampen.
- Uw boot maakt golven en lawaai dat schadelijk kan zijn voor de natuur.
- Respecteer lokale regels voor bootgebruik.

VEILIGHEIDSVOORSCHRIFTEN

- Lees deze handleiding zorgvuldig
- Niet bestemd voor gebruik in de zee.
- Bestudeer ook de handleiding van uw buitenboordmotor zorgvuldig indien u die wilt gebruiken.
- Het is de verantwoordelijkheid van de bestuurder van de boot om de wetten te kennen die van toepassing zijn op het gebruik van een boot, en deze op te volgen.
- De wetten en voorschriften die van toepassing zijn kunnen verschillen, afhankelijk van onder andere:

- de plaats waar de boot wordt gebruikt
- eisen van lokale autoriteiten
- wijze waarop de boot wordt gebruikt
- tijdstip van de dag
- omstandigheden waarin hij wordt gebruikt
- afmeting, snelheid, route, type boot (motor,

peddels, etc.)

- wijze waarop genavigeerd wordt

- Alle passagiers aan boord moeten de juiste kleding en een reddingvest dragen.
- Zorg dat de basisuitrusting van de boot (peddels, pomp en reparatiekit) aan boord is. Naast deze zaken is soms survival uitrusting noodzakelijk.
- Een individu die onder invloed is van drugs of alcohol kan niet goed een boot besturen.
- Overschrijd niet het maximale laadgewicht en de maximale motorkracht die op de fabricageplaat op de boten is afgebeeld.
- Besteed speciale aandacht aan wind en getijden, omdat hun variaties een grote invloed hebben op brandstofgebruik.
- Indien je op onbekende wateren wilt varen, raadpleeg dan iemand die de omgeving goed kent voor mogelijke gevaren.
- Geef altijd je vertrektijd en -locatie, je route en je geschatte aankomsttijd door aan iemand op de oever.
- Navigeer niet in het donker of gevaarlijke situaties indien juiste navigatielichten niet zijn geïnstalleerd.
- Gebruik geen compressor om de boot op te blazen. Te hoge druk kan de naden en/of wand doen scheuren. Gebruik van peddels of een motor hangt af van de omstandigheden op zee. De kracht van de motor kan niet voldoende zijn om tegen stromingen, smalle kanalen of in ondiep water te varen.
- Overschrijd het maximale vermogen niet! Een extreem krachtige motor kan voor gevaarlijke bewegingen en instabiliteit zorgen, met onvoorspelbare consequenties.
- Rust je buitenboordmotor uit met een koord voor nooduitschakeling. Deze zal de motor uitschakelen als de bestuurder om wat voor reden ook aan het koord trekt.
- Controleer regelmatig of de motor goed vast zit. Loszittende bouten kunnen het vaartuig onbestuurbaar maken, of zelfs zorgen dat de motor losraakt!

NAVIGATIE WAARSCHUWINGEN

- Alle passagiers moeten zitten en zich met een of twee handen vasthouden. Ga niet op de drijvers zitten.
- Buitenboordmotoren zijn gevaarlijk. Ruw sturen kan tot ernstige verwondingen of zelfs de dood leiden. Gebruik nooit een motor die niet voor die boot geschikt is. Blijf weg van zwemmers en zorg dat ze niet bij de achterkant van de boot kunnen komen als de motor draait.
- Vermijd snel optrekken, anders kunnen mensen overboord vallen.
- Gewicht moet gelijk verdeeld zijn. Geef niet plots veel gas als je boot licht beladen is. Een slecht gecontroleerde boot kan leiden tot stabiliteits- en manoeuvreerproblemen.
- Vermijd zandbanken en ondiep water of benader ze zeer voorzichtig.
- Mocht een van de drijvers lek raken, verschuif de lading dan naar de andere zijde. Probeer het lek te beperken met je hand of hulpmiddel en vaar zo snel mogelijk naar de kant.
- Laat kinderen niet zonder supervisie in de boot varen.
- Neem altijd je peddels vastgeklit mee aan boord.

AANMEREN

- Gebruik niet de motor bij aanmeren op een strand.
- Vermijd alle contact met scherpe objecten.
- Sleep de boot niet over stenen, zand, grind of geasfalteerd oppervlak.
- Til de boot te allen tijde.
- Dek de boot af wanneer je hem langere tijd uit het water in de zon laat liggen.
- Indien je de boot op het strand laat liggen, laat dan een deel in het water om te koelen en te hoge druk in de drijvers te voorkomen.
- Het wordt afgeraden de boot te slepen, de voorste ring is bedoeld om aan te meren of een ankerlijn aan te bevestigen.

VOETPOMP

WAARSCHUWING:

- Gebruik geen compressor om de boot op te blazen. Overdruk kan ervoor zorgen dat de naden of wanden scheuren. Gebruik de speciaal ontworpen pomp om de boot op te blazen.
- De voetpomp kan de benodigde druk leveren om de boot volledig op te blazen. Om op te blazen steek de slang in de "uitgang" opening van de pomp. We raden sterk aan de voetpomp voor de veiligheid altijd aan boord te houden.
- Voordat je een lange trip onderneemt, blaas de boot 24 uur op om zeker te weten dat alle kamers volledig luchtdicht zijn.

OPGELET:

Controleer voor je aan boord stapt of de boot goed is opgepompt.

LATTENBODEM BOOT ASSEMBLAGE INSTRUCTIES

1. Vouw de boot open op een schone, vlakke ondergrond die vrij is van scherpe objecten. Haal de romp uit de tas en rol deze helemaal uit.
 2. Blaas de boot met de hogedruk voetpomp op tot 90%. Start met oppompen van de luchtkamer waar het overdrukventiel zich bevindt.
- Let op: gebruik geen luchtcompressor. Schade aan de boot als gevolg van het gebruik van een compressor, waardoor de boot te hard wordt opgepompt, valt niet onder de garantieregeling.**
3. Bevestig de houten zitting door de inkepingen aan de onderkant van de zitting op de rails van de luchtkamers te schuiven.
 4. Pomp de luchtkamers op naar 100% (0,25 bar). De hoofd luchtkamer heeft een ingebouwd overdrukventiel voor extra veiligheid.

5. Fixeer de peddels door deze in de 'locks' te klemmen.

LEEG LATEN LOPEN

Verwijder de buitenste ventieldoppen om bij het plastic buisje binnenin te kunnen. Duw in om lucht eruit te laten en draai om vast te zetten in de open positie. Laat elke kamer tot 50-75% leeg lopen voor je alles volledig leeg laat lopen. Verwijder de bodemplaten en haal ze uit elkaar.

Let op: Laat een kamer niet volledig leeg lopen terwijl anderen nog volledig opgeblazen zijn. Dit kan de dwarsschotten van de boot beschadigen.

ONDERHOUD & OPSLAG

- Spuit om schoon te maken zand en vuil af met water, laat goed drogen voor het inpakken. Gebruik voor hardnekkig vuil milde zeep en een spons, gebruik geen agressieve reinigingsmiddelen.
- Gebruik geen schuur- of reinigingsproducten met alcohol om de boot schoon te maken. Dit kan leiden tot zeer snel uitdrogen van het materiaal.
- Sla droog en schoon op. Sla niet op bij extreme temperaturen (boven de 60 graden of onder de -20 graden Celsius).
- Sla je de boot langere tijd opgevouwen in de tas op, zorg dat deze volledig droog is, gebruik geen talk of gelijksoortige poeders.
- Kan zowel opgeblazen als leeg worden opgeslagen.
- Indien buiten opgeslagen is het raadzaam hem boven de grond te stallen.
- Wordt de boot blootgesteld aan zonlicht, bladeren, besjes of regen, zorg dan dat hij is afgedekt.
- Ophangen van de boot wordt afgeraden.
- Laat je de boot in het water liggen dan zul je af en toe regenwater moeten afvoeren. Stal je hem in een kast, kelder of garage kies dan een droge koele plek, zorg dat de boot schoon en droog is of anders kan schimmelvorming ontstaan.

- Sla een boot met brandstof in de tank nooit op in een ruimte waar de brandstofdampen een hittebron kunnen bereiken.

TROUBLESHOOTING

1. Lekken

Na 2 tot 3 dagen kan er een kleine drukverlaging optreden door temperatuurswisselingen. Als dit het geval is pomp elke kamer dan weer een beetje op. Verlies je druk anders dan door lagere temperaturen, controleer de boot dan op lekken, te beginnen met de ventielen. De beste manier om een lek te vinden is met zeepsop in een spuit. Een lekkend ventiel komt zelden voor, maar als dit het geval is kunnen we een nieuwe opsturen. We adviseren zeep en water in een spuitfles te mengen en spuit rond het ventiel. Zie je luchtballen ontstaan, controleer de stand van het ventiel en zorg dat deze goed vastgedraaid zit. Heb je nog steeds problemen bestel dan een nieuw ventiel. Vervanging van het gehele ventiel kan met een eenvoudig gereedschap worden gedaan die met een ventiel wordt meegeleverd.

2. Opsporen van gaten

Als de boot druk verliest en alle ventielen zijn in orde dan zit er waarschijnlijk een klein gat in. Kleine gaatjes kunnen eenvoudig en permanent worden gerepareerd. Spuit aan de binnen- en buitenkant van de boeg tot luchtballen aangeven waar het gaatje zit. Vind je niets, blaas de boot dan op tot maximale druk en luister of je het lek hoort sissen. Heb je de zon gevonden, spuit dan opnieuw om de precieze plek te vinden. Kleine reparaties uitvoeren. Gaatjes kleiner dan 3mm kunnen simpel zonder pleister worden gedicht. Laat de boot leeglopen, maak dan het te repareren vlak schoon en droog. Doe een kleine druppel lijm op het gaatje en laat 12 uur drogen. Moet je sneller weer varen laat dan 30 minuten drogen en blaas de boot op, en het gerepareerde compartiment

slechts $\frac{3}{4}$ vol. Deze reparatie zou minder duurzaam kunnen zijn, dus breng op een later moment nog eens een extra druppel lijm aan.

3. Scheuren

Je boot wordt standard geleverd met een reparatiekit. Heb je de jouwe niet meer dan kun je bij je dealer een nieuwe bestellen. Knip een stuk reparatiemateriaal af groot genoeg om de schade aan elke kant 12mm te overlappen en knip hoeken rond af. Smeer de onderkant in met lijm en ook het te repareren oppervlak. Gebruik niet teveel lijm. Laat 2-4 minuten drogen en plaats op het gelijmde oppervlak. Leg er gedurende ongeveer 12 uur een gewicht op van 1,5-2,5kg om druk te geven. Na drogen smeer je nog een laagje lijm rond de randen voor volledige afdichting, laat 4 uur drogen.

4. Grote en Lastige Reparaties

Indien een reparatie te lastig is, neem dan contact op met onze service afdeling en we zullen je adviseren over de beste wijze om je boot te herstellen.

5. Zie je water de boot inlopen, controleer dan het volgende:

- Staat de waterafvoer open?
- Werkt het tussenschot in de waterafvoer naar behoren?
- Heeft het recent geregend?
- Zit er een gat in de vloer?

Garantie Registratie

U kunt de garantie op dit product registreren op de Fox website: www.foxint.com. Log in of maak een account om het registratieproces te starten. U heeft de productcode, aankoopdatum en naam van de winkel van aankoop nodig om de registratie definitief te maken. Noteer na registratie uw Customers Reference code om de garantievoorwaarden te bekijken via uw Fox website account.

De garantie is niet van toepassing op:

- Te hard opblazen van de luchtkamers op een druk van meer dan 0,25bar/3,63psi.
- Drukverlies als gevolg van

temperatuurverschillen.

- Drukverlies via de drukventielen in hete weersomstandigheden.
- Opvouw plekken. Dit is normaal en de plekken zullen verdwijnen tijdens gebruik.
- Lijm residu. Alle Fox boten zijn handgemaakt en soms is er een lijmplek te zien.
- Kleine oneffenheden op verlijmde delen die het gebruik niet beïnvloeden.
- Klein drukverlies na 48 uur (tot 20% verlies).
- Beschadiging als gevolg van oplosmiddelen.
- Beschadiging als gevolg van accu zuur, olie en benzine.
- Beschadiging als gevolg van nagellak en zonnebrandcrème/olie.
- Beschadiging als gevolg van insectenspray.
- Beschadiging als gevolg van ondeskundig gebruik.
- Beschadiging als gevolg van reiniging met een hogedrukspuit.
- Beschadiging als gevolg van agressieve schoonmaakmiddelen.
- Beschadiging als gevolg van incorrect in elkaar zetten of opbergen van de boot.
- Beschadiging als gevolg van ondeskundige opslag en slechte ventilatie.
- Beschadiging als gevolg van ondeskundige reiniging en onderhoud van de boot.
- Transportschade.
- Beschadiging als gevolg van het gebruik van een compressor.
- Beschadiging als gevolg van normaal gebruik.
- Beschadiging als gevolg van dieren in of op de boot.
- Beschadiging als gevolg van water in de luchtkamers.
- Beschadiging als gevolg van onzorgvuldig gebruik en externe invloeden.
- Beschadiging als gevolg van snelheidsraces in de meest brede zin van het woord.
- Beschadiging als gevolg van niet goedgekeurde accessoires.
- Beschadiging als gevolg van het gebruik van zwaardere motoren (kW/pk) dan toegestaan.
- Beschadiging als gevolg van het overschrijden van het maximale toelaatbare gewicht dan wel het maximaal aantal toegestane personen.

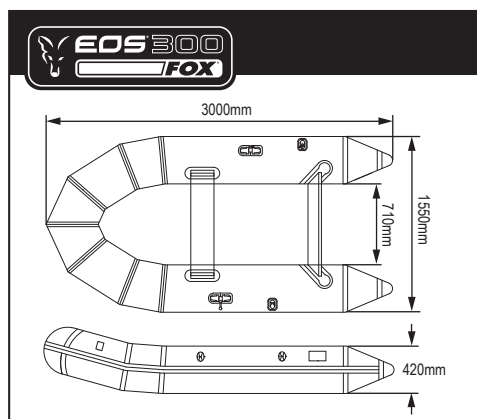
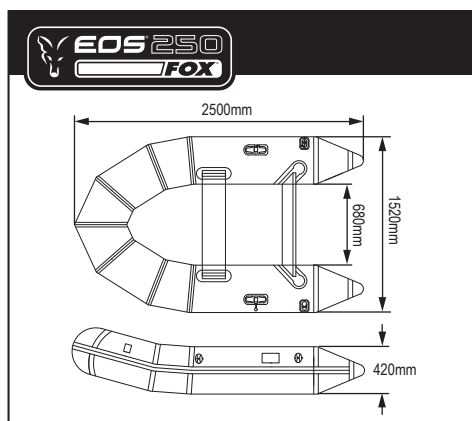
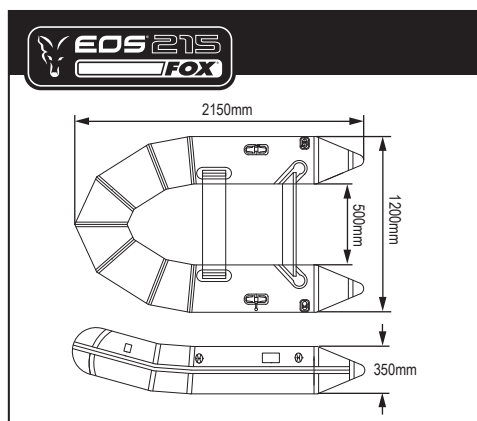
*Uw wettelijke rechten blijven van kracht.

Als u een probleem met de boot heeft dat onder de garantieregeling valt, dient u het volgende te doen:

1. Neem contact op met de winkel waar u de boot heeft gekocht en leg het probleem uit.
2. De winkelier stuurt een foto naar Fox, samen met de uitleg van het probleem en het bewijs van aankoop.
3. Wij zullen onderzoeken en bevestigen of het probleem onder de garantieregeling valt.
4. Na de bevestiging stuurt de winkelier een verzoek naar Fox om de boot op te halen en wij zullen het ophalen organiseren.
5. Wij zullen de boot bekijken en repareren of vervangen.

BOOT SPECIFICATIES

Model	Bodem	Lengte (cm)	Breedte (cm)	Kamers	Tube (cm)	Personen	Max Lading (kgs)	Druk (hp)
Fox EOS 215 Green	Slat	215	120	3	35	1	200	2.95
Fox EOS 250 Green	Slat	250	152	3	42	2	260	6.7
Fox EOS 300 Green	Slat	300	155	3	42	4	416	9.5



CONFORMITEITSVERKLARING

Hierbij verklaart de Fox International Group Ltd dat de Fox EOS Boten (CIB036 & CIB037) voldoen aan de EU Richtlijn 'Recreational craft and personal watercraft – Directive 2013/53/EU en de VK Recreational Craft Regulation 2017.

De Conformiteitsverklaring kan worden gevonden op het volgende adres:
<https://www.foxint.com/nl/ondersteuning/keurmerken/>

www.foxint.com

eurocustomerservices@ratheroutdoors.com

ÜBER IHR FOX BOOT

Vielen Dank, dass Sie ein Fox Boot gekauft haben. Bei richtiger Behandlung können Sie viele Jahre Ihre Freude daran haben. Diese Boote können innerhalb 30 Minuten aufgepumpt und aufgebaut werden, man kann also mit dem Auto ans Gewässer, ohne einen Bootsanhänger benutzen zu müssen, ideal für Angeltripp. Diese Gebrauchsanleitung hilft dabei, das Boot kennenzulernen und es in bestmöglichstem Zustand zu erhalten. Bewahren Sie die Anleitung an einem trockenen Ort auf. Falls Sie das Boot einmal verkaufen, bitte geben Sie die Anleitung auch mit.

IHR BOOT UND DIE UMWELT

- Die Umwelt ist empfindlich, bitte nutzen Sie Ihr Boot mit dem größtmöglichen Respekt für die Natur.
- Vermeiden Sie zu hohen Lärm und starke Kraftstoffdämpfe.
- Ihr Boot erzeugt Wellen und Lärm, beides kann für die natürliche Umgebung Beeinträchtigungen bedeuten.
- Beachten Sie örtliche Gesetze und Regelungen für die Bootsbenutzung.

SICHERHEITSHINWEISE

- Lesen Sie die Hinweise sorgfältig.
- Nicht für den Meereseinsatz geeignet.
- Lesen Sie auch die Gebrauchsanleitung des von Ihnen ausgewählten Außenbordmotors, sofern Sie einen benutzen wollen.
- Das Erlernen und die Kenntnis über die jeweils geltenden Gesetze und deren Anwendung in Bezug auf Ausrüstung und Gebrauch des Bootes liegt in der Verantwortung des Bootsführers.
- Die anzuwendenden geltenden Gesetze und Regelungen können sich ändern und je nach folgenden Gesichtspunkten unterscheiden:
 - Der Ort, an dem das Boot genutzt wird
 - Die Anforderungen der örtlichen Behörden
 - Die Art der Bootsnutzung

- Die Tageszeit
- Die Bedingungen am Tag der Nutzung
- Die Größe, Geschwindigkeit, Strecke, Art des Bootes (Motor, Ruder etc.)
- Der Navigationsmodus

- Alle Insassen müssen passende Kleidung und eine Schwimmweste tragen.
- Überprüfen Sie, dass die Standardausrüstung des Bootes (Ruder, Luftpumpe, Reparaturset) an Bord ist. Rettungsausrüstung über die obligatorischen Dinge hinaus kann in manchen Situationen notwendig sein.
- Unter dem Einfluss von Drogen oder Alkohol kann ein Boot nicht geführt werden.
- Überziehen Sie nicht die maximale Zuladungsempfehlung und die Empfehlungen zur maximalen Motorkraft, die jeweils auf der Herstellerplakette verzeichnet sind.
- Der Wind und die Gezeiten müssen besonders beachtet werden, da hier Änderungen auch Effekte auf den Kraftstoffverbrauch haben können.
- Wenn Sie auf einem Ihnen unbekanntem Gewässer bootfahren wollen, sprechen Sie vorher mit Personen, die das Gewässer und seine möglichen Hindernisse und Gefahren kennen.
- Teilen Sie immer Abfahrtszeit und –ort, die geplante Route und die ungefähre Rückkehrzeit jemandem am Ufer mit.
- Fahren Sie nicht nachts oder bei schlechtem Licht ohne korrekte Bootsbeleuchtung.
- Benutzen Sie keinen Kompressor o.ä. zum Aufpumpen des Bootes. Zu starkes Aufpumpen kann die Nähte und/ oder die Luftschläuche zum Platzen bringen.
- Ob Sie Ruder oder einen kleinen Außenbordmotor nutzen, hängt auch von den Bedingungen des Gewässers ab. Die entsprechende Kraft könnte für das Überwinden von Gezeitenströmungen, enger Kanäle oder flachem Wasser nicht stark genug sein.
- Respektieren Sie die maximale PS-

D

Empfehlung ! Ein zu starker Motor könnte eine gefährliche Lenkbarkeit des Bootes und Schwierigkeiten bei der Stabilität mit ernsthaften Konsequenzen bedeuten.

- Statten Sie Ihren Außenbordmotor mit einer Notfall-Stop-Leine aus. Ein Zug damit stoppt den Motor, wenn der Bootsführer aus welchem Grund auch immer daran zieht.
- Überprüfen Sie regelmäßig, dass der Motor sicher befestigt ist. Lose Schrauben können dazu führen, dass das Boot nicht kontrollierbar ist oder dass der Motor nicht mehr am Boot befestigt ist!

GEFAHREN BEI DER BOOTSBENUTZUNG

- Alle Personen müssen innerhalb des Bootes sitzen und sich an einer oder zwei Handgriffen festhalten können. Sitzen Sie nicht auf die Schwimmkörper.
- Außenbordmotoren sind gefährlich. Eine falsche Behandlung des Gerätes kann zu ernsthaften Verletzungen oder gar zum Tode führen. Verwenden Sie nie einen Motor, für den das Boot nicht geeignet ist. Halten Sie Abstand zu Schwimmern und erlauben Sie ihnen nicht, bei Motorbetrieb ans hintere Ende des Bootes zu schwimmen.
- Vermeiden Sie rasche Beschleunigungen, bei denen Passagiere ins Wasser fallen könnten.
- Gewicht muss gleichmäßig verteilt werden. Beschleunigen Sie nicht ruckartig, wenn Ihr Boot motorisiert und nicht stark beladen ist. Ein nicht sachgemäß geführtes Boot kann zu Problemen mit der Stabilität und der Lenkbarkeit führen.
- Vermeiden Sie Sandbänke und flaches Wasser bzw. nähern Sie sich diesen Bereichen mit großer Vorsicht.
- Wenn eine der Luftkammern unterwegs ein Loch bekommt, laden Sie alles auf die andere Seite um. Versuchen Sie, das Leck mit Ihrer Hand oder einem Band zu verkleinern und fahren Sie so schnell wie möglich an das nächstgelegene Ufer.
- Erlauben Sie Kindern nicht, das Boot ohne

Aufsicht durch Erwachsene zu benutzen.

- Lassen Sie Ihre Ruder immer eingeklickt an ihrem Platz.

AM UFER

- Beim Anlanden am Strand den Motor nicht benutzen.
- Vermeiden Sie scharfe Gegenstände, wenn Sie an den Hafen oder das Ufer kommen.
- Ziehen Sie das Boot nicht über Steine, Sand, Kies oder geteerte Oberflächen.
- Das Boot immer tragen.
- Wenn das Boot längere Zeit außerhalb des Wassers in der Sonne liegt, muss es abgedeckt werden.
- Wenn Sie das Boot am Strand liegen lassen, sollte ein Teil im Wasser liegen. So wird das Boot gekühlt und ein zu hoher Druck in den Luftkammern vermieden.
- Es ist nicht ratsam, dass Sie das Boot am Frontring ziehen, dieser ist nur für das Anbinden oder das Sichern einer Ankerleine gedacht.

FUSSPUMPE WARNUNG:

- Verwenden Sie keine Druckluft zum Aufblasen des Bootes. Zu starkes Aufblasen kann die Nähte und/ oder die Luftkammern zum Platzen bringen. Verwenden Sie zum Aufblasen Ihres Bootes die speziell dafür gefertigte Pumpe.
- Die Fußpumpe liefert genug Luftdruck, um Ihr Boot vollständig aufzublasen. Zum Aufblasen die Düse in die "outlet"-Öffnung der Pumpe einsetzen. Wir empfehlen dringend, die Pumpe aus Sicherheitsgründen immer an Bord mitzuführen.
- Vor einem längeren Angeltrip das Boot über 24 Stunden aufgeblasen lassen um sicherzustellen, dass alle Luftkammern komplett dicht sind.

ACHTUNG:

Vor der Benutzung immer überprüfen, dass das Boot richtig aufgeblasen ist.

MONTAGEANLEITUNG FÜR BOOTE MIT LAMELLENBODEN

1. Räumen Sie einen flachen Bereich frei (stellen Sie sicher, dass er sauber und frei von scharfen Gegenständen ist), um Ihr Boot zu entfalten. Befreien Sie den Bootskörper von seiner Hülle und nehmen Sie ihn aus der Bootstasche. Rollen Sie das Boot so aus, dass es flach liegt.
2. Pumpen Sie das Boot mit der Hochdruck-Fußpumpe auf 90% auf. Starten Sie dabei mit dem Schlauchabschnitt mit dem Überdrucksicherungsventil.

Hinweis: Verwenden Sie keinen Luftkompressor. Schäden an Ihrem Boot, die durch zu hohen Luftdruck durch einen Luftkompressor verursacht werden, sind nicht von Ihrer Garantie abgedeckt.

3. Montieren Sie das hölzerne Sitzbrett, indem Sie die Flansche an der Unterseite des Bretts auf die Schienen an den seitlichen Schwimmkörpern schieben
4. Beenden Sie das Aufpumpen aller Rumpfkammern auf einen Druck von 100% oder 0,25 bar. Der Hauptschlauch des Bootes verfügt über ein eingebautes Überdruckventil für zusätzliche Sicherheit.
5. Sichern Sie die Ruder, indem Sie sie in die Ruderhalter einclippen

Nehmen Sie die äußeren Ventilkappen ab, um den Kunststoffstift des inneren Ventils freizulegen. Drücken Sie den Stift, um Luft herauszulassen, und drehen Sie ihn, um das Ventil in der offenen Position zu fixieren. Entleeren Sie jede Rumpfkammer zu 50-75% bevor Sie alle Luftkammern komplett leeren. Nehmen Sie die Fußböden heraus und bauen Sie diese auseinander.

Bitte beachten: Lassen Sie aus keiner Kammer die Luft komplett heraus, während andere noch vollständig aufgeblasen sind. Dies könnte die Schotten des Bootes beschädigen.

PFLEGE & LAGERUNG

- Reinigen Sie das Boot von Sand und Schmutz und lassen Sie es trocknen, bevor Sie es komplett einpacken. Der meiste Schmutz kann mit einem Gartenschlauch, einem Schwamm und einer milden Seife entfernt werden. Verwenden Sie keine aggressiven Chemikalien.
- Niemals Politur oder Reinigungsmittel auf Alkoholbasis zur Reinigung des Bootes verwenden. Dies kann zu einem vorzeitigen Austrocknen des Materials führen.
- An einem sauberen und trockenen Ort lagern. Nicht bei extremen Temperaturen lagern (über 150F/unter - 10F).
- Wenn Sie Ihr Boot über einen längeren Zeitraum eingefaltet in der Tasche lagern, stellen Sie sicher dass es komplett trocken ist. Nicht mit Talkum oder ähnlichen Pulvern bestreuen.
- Lagerung aufgeblasen oder leer möglich.
- Wenn es im Freien gelagert wird, ist es ratsam, es nicht direkt auf dem Boden zu lagern.
- Wenn es direktem Sonnenlicht oder Blättern, Beeren oder Regen ausgesetzt ist, mit einer Plane abdecken.
- Es wird nicht empfohlen, das Boot aufzuhängen.
- Wenn Sie das Boot im Wasser belassen, muss von Zeit zu Zeit das Regenwasser entfernt werden. Wenn Sie es in einem Lagerraum, im Keller oder der Garage lagern wollen, empfehlen wir einen kühlen, trockenen Platz. Stellen Sie sicher, dass das Boot vor dem Verpacken sauber und trocken ist – sonst kann sich Fäulnis bilden.
- Niemals das Boot mit gefülltem Tank in einem Raum lagern, wo die Dämpfe des Kraftstoffs eine Flamme, Funken oder eine starke Hitzequelle erreichen können.

PROBLEMLÖSUNGEN

1. Leckagen

Nach 2 oder 3 Tagen kann es durch Temperaturänderungen zu einer leichten Abnahme des Fülldrucks kommen. Wenn dies der Fall ist, ein paar Pumpenstöße in jede Kammer nachfüllen. Wenn Sie auch ohne kälter werdende Temperaturen Luft verlieren, das Boot auf Lecks überprüfen, dabei an den Ventilen beginnen. Das beste Hilfsmittel zur Lecksuche ist Seifenwasser in einer Sprühflasche. Ein leckendes Ventil ist selten, aber wenn Sie ein solches Leck entdecken, können wir Ihnen ein Ersatzventil zusenden. Wir empfehlen, Seife und Wasser in einer Sprayflasche zu mischen. Spritzen Sie damit um das Ventil herum. Wenn sich Blasen bilden, prüfen Sie den Sitz und die Basis des Ventils und stellen Sie sicher, dass er Ventileinsatz fest zugeschraubt ist. Wenn die Probleme fortauern, ist es an der Zeit, neue Ventile zu bestellen. Der Austausch eines ganzen Ventils kann mit einem einfachen Werkzeug gemacht werden, das der Ersatzlieferung beiliegt.

2. Löcher finden

Wenn das Boot Luft verliert und die Ventile halten, gibt es wohl ein kleines Loch. Kleine Löcher können leicht und dauerhaft repariert werden. Bespritzen Sie das Boot außen und innen mit Seifenwasser, bis Luftblasen die Position des Lecks verraten. Wenn Sie mit den Luftblasen keine kleine Leckage finden, blasen Sie das Boot auf maximalen Druck auf und horchen Sie, ob Sie herausströmende Luft hören. Wenn Sie dadurch den Bereich eingrenzen können, wiederum mit der Sprayflasche die Quelle der Luft feststellen. Kleine Reparaturen: Löcher kleiner als 3mm / 1/8" können ganz einfach, ohne einen Gummiflicken, repariert werden. Das Boot leerlassen, dann den Bereich um das Loch reinigen und trocknen. Einen kleinen Tropfen Kleber auf das Loch aufbringen und 12 Stunden

trocknen lassen. Wenn Sie schneller wieder aufs Wasser müssen, nach 30 Minuten das Boot wieder aufblasen, dabei die Luftkammer mit dem reparierten Loch nur zu dreivierteln aufblasen. Diese Reparatur ist dann ev nicht von Dauer, deshalb später nochmals für eine permanente Lösung einen Tropfen Kleber aufbringen.

3. Risse oder Kratzer

Ihr Boot wird mit einem Reparaturset als Standardzubehör ausgeliefert. Wenn Sie kein solches Set mehr haben, kann dies beim Händler bestellt werden. Schneiden Sie ein Stück aus dem Flickstoff heraus, das groß genug ist, den beschädigten Bereich mit einer Überlappung von ca 12mm / 1/2" abzudecken, und runden Sie die Ecken ab. Bringen Sie unseren Kleber auf der Unterseite des Stücks und auf dem zu reparierenden Bereich auf. Zuviel Kleber erschwert eine saubere Reparatur. Der Kleber muss nach 2-4 Minuten etwas zäh werden, dann das Stück auf dem beschädigten Bereich aufbringen. Mit einem Gewicht von 3-5 Pfund 12 Stunden lang beschweren. Nach dem Trocknen an den Rändern für ein komplettes Versiegeln weiteren Kleber anbringen (4 Stunden trocknen lassen).

4. Große und schwierige Reparaturen

Wenn Sie eine schwierige Reparatur vor sich haben, den Kundenservice kontaktieren. Wir werden Ihnen den besten Weg aufzeigen, um Ihr Boot zu reparieren.

5. Wenn Wasser ins Boot eindringt, folgendes überprüfen:

- Ist das Leerungsventil geöffnet ?
- Arbeitet der Einsatz im Leerungsventil sauber?
- Hat es kürzlich geregnet ?
- Ist ein Loch im Boden ?

Garantieregistrierung

Sie können eine Garantie für dieses Produkt

online auf der Fox-Website www.foxint.com registrieren. Melden Sie sich an oder erstellen Sie ein Konto, um den Registrierungsvorgang zu starten. Sie benötigen die Produktnummer, das Kaufdatum und den Ort des Kaufs, um die Registrierung abzuschließen. Notieren Sie nach der Registrierung Ihre Kundenreferenznummer, um die Garantiedetails über Ihr Fox-Website-Konto anzuzeigen.

Die Garantie erstreckt sich nicht auf Folgendes:

- Übermäßiges Aufpumpen der Kammern mit mehr als 0,25 bar
- Übermäßiges Aufblasen des Luftbodens mit mehr als 1,00 bar / 14,5 psi.
- Luftverlust aufgrund von Temperaturunterschieden
- Luftverlust durch das Druckventil bei heißen Bedingungen
- Spuren an den Faltkanten. Dies ist normal und verschwindet während des Gebrauchs.
- Kleberückstände. Alle Fox-Boote sind handgefertigt und gelegentlich können Klebestellen sichtbar sein.
- Kleine Unvollkommenheiten an geklebten Teilen, die die Verwendbarkeit nicht beeinträchtigen.
- Geringer Luftverlust innerhalb von 48 Stunden (bis zu 20% Luftverlust im Vergleich zum Betriebsdruck).
- Schäden, die durch die Verwendung von Lösungsmitteln jeglicher Art verursacht werden
- Schäden durch Batteriesäure, Öl und Kraftstoff.
- Schäden durch Nagellack, Sonnencreme / Öl.
- Schäden durch Insektenschutzmittel.
- Schäden durch unsachgemäße Verwendung.
- Schäden durch Hochdruckreinigung.
- Schäden, die durch die Verwendung aggressiver Reinigungsmittel verursacht werden.
- Schäden durch falsche Montage und Demontage des Bootes.
- Schäden durch falsche Lagerung oder schlechte Belüftung.
- Schäden durch unzureichende Reinigung und Wartung des Bootes.
- Transportschäden.
- Schäden, die durch den Einsatz von Druckkompressoren zum Aufblasen oder Ablassen des Bootes verursacht werden.
- Schäden durch normale Abnutzung.
- Schäden durch Gewaltanwendung.
- Schäden durch Tiere am oder im Boot.
- Schäden durch Wasser im Inneren der Luftkammern.
- Schäden am Bootskörper durch Unachtsamkeit sowie äußere Einflüsse.
- Schäden durch Teilnahme an Rennveranstaltungen jeglicher Art.
- Schäden, die durch die Verwendung von nicht zugelassenem Zubehör verursacht wurden.
- Schäden, die durch Überschreiten der zulässigen Höchstleistung KW / PS sowie des zulässigen Motorgewichts verursacht werden.
- Schäden durch Überschreiten der zulässigen Nutzlast und der empfohlenen Personenzahl.

* Ihre gesetzlichen Rechte bleiben unberührt.

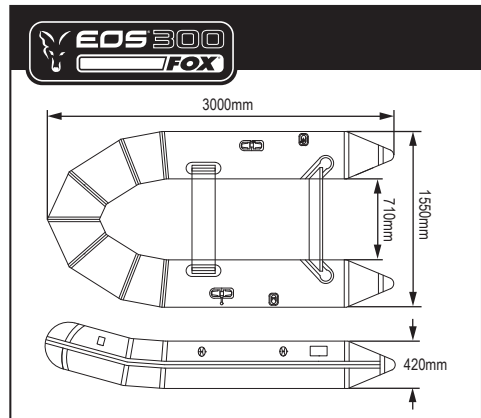
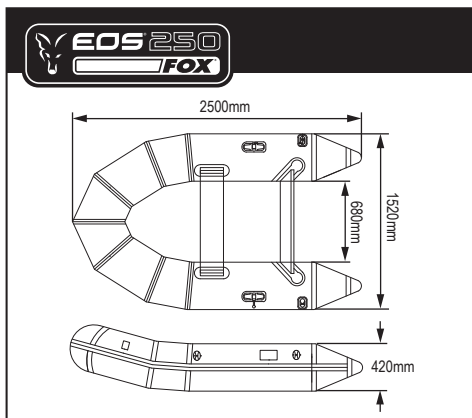
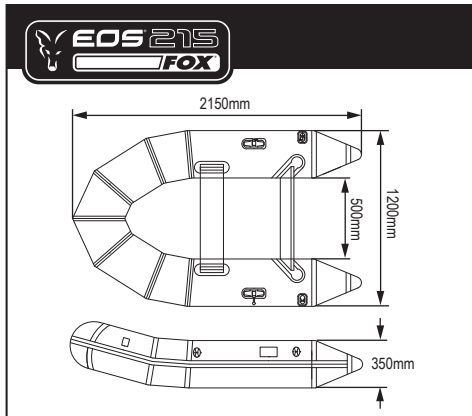
Wenn Sie ein Problem mit Ihrem Boot haben, für das die Garantie gilt, gehen Sie wie folgt vor:

1. Wenden Sie sich an Ihre Verkaufsstelle und erklären Sie das Problem.
2. Der Händler muss Fox ein Foto und eine Erklärung des Problems zusammen mit dem Kaufbeleg schicken.
3. Wir werden bestätigen, ob das Problem von der Garantie abgedeckt wird.
4. Nach der Bestätigung muss der Händler eine Rückholanfrage an Fox senden, und wir werden die Abholung des Bootes arrangieren.
5. Wir werden das Boot dann überprüfen und entsprechend reparieren oder austauschen.

D

BOOTSSPEZIFIKATION

Modell	Boden	Länge (cm)	Breite (cm)	Kammern	Schlauch (cm)	Personen	Max Belastung (kgs)	Motor (PS)
Fox EOS 215 Green	Slat	215	120	3	35	1	200	2.95
Fox EOS 250 Green	Slat	250	152	3	42	2	260	6.7
Fox EOS 300 Green	Slat	300	155	3	42	4	416	9.5



KONFORMITÄTSERKLÄRUNG

Hiermit erklärt Fox International Group Ltd, dass die Fox EOS Boote (CIB036 & CIB037) mit der (EU)- Richtlinie 2013/53/EU Sportboote und Wassermotorräder und der(UK) Verordnung Sportboote 2017 übereinstimmen.

Die Konformitätserklärung finden Sie unter folgender Adresse:
<https://www.foxint.com/de/unterstuetzen/declarations-of-conformity/>

www.foxint.com

eurocustomerservices@ratheroutdoors.com

RELATIVAMENTE AL VOSTRO NUOVO GOMMONE FOX

Grazie per avere acquistato un gommone Fox. Se curato in modo appropriato, potrete godervelo per molti anni. Questi gommoni possono essere gonfiati e assemblati in circa 30 minuti, rendendo il viaggio dall'auto alla postazione di pesca pratico, senza la necessità di avere un carrello, e perfetto per effettuare sessioni di pesca. Questo manuale vi aiuterà a prendere confidenza con il gommone e a tenerlo nella migliore condizione possibile. Conservate questo manuale a bordo in un'area asciutta. Nel caso doveste vendere il gommone, assicuratevi di fornire al nuovo proprietario questo manuale.

IL VOSTRO GOMMONE E L'AMBIENTE

- L'ambiente è fragile, utilizzate il vostro gommone con il massimo rispetto per l'ambiente stesso.
- Evitate di generare troppo rumore e di produrre un quantitativo eccessivo di vapori di carburante.
- Il vostro gommone genera onde e rumore che possono arrecare danno all'ambiente naturale.
- Rispettate le leggi e i regolamenti locali relativi all'utilizzo dei gommoni

ISTRUZIONI PER LA SICUREZZA

- Leggere attentamente le istruzioni.
- Non idoneo per utilizzo in mare.
- Leggete attentamente il manuale d'uso fornito a corredo del vostro motore fuoribordo nel caso decidiate di utilizzarne uno.
- E' responsabilità del conducente del gommone apprendere e conoscere le leggi applicate all'uso del mezzo, relativamente alla gestione dello stesso e all'attrezzatura da portare al seguito.

- la località in cui è autorizzato l'uso del gommone
- le richieste delle autorità locali
- l'orario del giorno

- le condizioni operative
- le dimensioni, la velocità, la rotta e il tipo di gommone (motore o remi)
- la modalità di navigazione

- Tutti i passeggeri a bordo devono portare abbigliamento appropriato e indossare un giubbotto di salvataggio.
- Assicuratevi che l'equipaggiamento standard del gommone sia a bordo (remi, pompa dell'aria e kit di riparazione). A volte è anche necessario portare al seguito un kit di sopravvivenza oltre all'equipaggiamento mandatorio.
- Un individuo sotto l'effetto di droghe o alcol non è in condizione di pilotare una barca.
- Non eccedere il carico massimo consentito e la potenza massima indicata per il motore, dati indicati sulla targhetta apposta dal costruttore del gommone.
- Speciale attenzione deve essere posta al vento e alla marea, poichè la loro variazione ha effetti tangibili sul consumo di carburante.
- Se avete in programma di navigare in acque per voi non famigliari, consultatevi con qualcuno che le conosce bene per prevenire possibili rischi e pericoli.
- Informate sempre qualcuno rimasto a riva circa il vostro punto e orario di partenza, rotta prefissata e presunta ora del rientro.
- Non navigate al buio o in condizioni di rischio se non è stata montata una corretta fonte di illuminazione idonea per la navigazione.
- Non utilizzare una sorgente di aria compressa per gonfiare il gommone. Una pressione di gonfiaggio eccessiva può causare la rottura di cuciture e / o pareti.
- Rispettare i valori massimi di potenza! Un motore troppo potente può causare una manovrabilità e una stabilità difficoltose, con possibili gravi conseguenze
- Dotare il vostro motore fuoribordo di un interruttore di emergenza a trazione di cavo. Questo interruttore arresta il motore se l'operatore tira il cavo, per qualsiasi motivo.

1

- Controllare regolarmente che il motore sia fissato saldamente. Viti allentate possono rendere il mezzo incontrollabile o provocare il distacco del motore !

AVVERTENZE PER LA NAVIGAZIONE

- Tutti i passeggeri devono essere seduti all'interno della barca e devono essere in grado di ancorarsi ad uno o due punti del gommone. Non sedersi sui galleggianti.
- I motori fuoribordo sono pericolosi. Una gestione non attenta e responsabile del proprio mezzo può causare lesioni gravi o mortali. Mai equipaggiare una barca con un motore non idoneo per la stessa. Stare a debita distanza da nuotatori e non permettere loro di avvicinarsi alla parte posteriore del gommone quando il motore è in funzione.
- Evitare accelerazioni rapide che possono causare la caduta dei passeggeri in acqua.
- Il peso sul gommone deve essere equamente distribuito. Non accelerare improvvisamente se il gommone è motorizzato e con poco carico. Una barca mal controllata può causare problemi di stabilità e manovra.
- Tenersi a debita distanza da banchi di sabbia e acque basse, ed eventualmente approcciarli esclusivamente con estrema cautela.
- Se uno dei galleggianti si fora durante la navigazione, spostare il carico del gommone verso il lato opposto. Cercare di limitare la perdita con la mano o una cinghia e dirigersi verso la terra ferma il più rapidamente possibile.
- Non permettere ai bambini di guidare il gommone senza supervisione da parte degli adulti.
- Portare sempre i remi, ben sistemati in posizione.

ATTRACCO

- Non utilizzare il motore durante l'attracco sulla terraferma.
- Evitare l'utilizzo di oggetti taglienti quando si arriva al molo o a riva.

- Non trascinare il gommone su rocce, sabbia, sassi, o superfici asfaltate.
- Trasportare sempre la barca sollevata dal suolo.
- Coprire il gommone quando lo si lascia al sole fuori dall'acqua per lunghi periodi di tempo.
- Se lasciate il gommone su una spiaggia al sole, fate in modo che parte dello stesso sia posizionata in acqua per raffreddarlo, per evitare il pericolo di sovrappressione.
- Non è consigliabile trainare il gommone utilizzando l'anello frontale; questo accessorio serve solo per l'ormeggio e l'ancoraggio.

POMPA A PEDALE AVVERTENZA:

- Non utilizzare una sorgente di aria compressa per gonfiare un gommone. Una pressione eccessiva di gonfiaggio può causare la rottura di cuciture e / o pareti. Per gonfiare il vostro gommone, utilizzare la pompa appositamente progettata
- La pompa a pedale è in grado di fornire la pressione necessaria per gonfiare completamente il vostro gommone. Per gonfiare, inserire il tubo nella "presa" con buco sulla pompa. Si consiglia vivamente di tenere sempre la pompa a pedale a bordo per la sicurezza.
- Prima di intraprendere un lungo viaggio, gonfiare la barca con debito anticipo, verificando la tenuta della pressione per almeno 24 ore, per essere sicuri che tutte le camere siano perfettamente integre.

ATTENZIONE:

Prima dell'imbarco, controllare sempre che il gommone sia stato adeguatamente gonfiato.

ISTRUZIONI DI MONTAGGIO DEL PAIOLATO DEL GOMMONE IN STECCHE

1. Preparare uno spazio piano (assicurandosi che sia pulito e privo di oggetti appuntiti) per aprire il gommone. Rimuovere il gommone dalla sua scatola e tirarlo fuori dalla borsa di trasporto.

Srotolare il gommone in modo che possa essere steso piatto.

2. Gonfiare il gommone con la pompa a pedale ad alta pressione, portandola al 90%. Iniziare a gonfiare il gommone nella sezione dotata di valvola di sicurezza contro la sovrappressione.

Nota: non utilizzare un compressore d'aria. I danni al vostro gommone causati da un gonfiaggio eccessivo dovuto ad utilizzo di un compressore d'aria non sono coperti dalla garanzia.

3. Installate il paiolato in legno facendo scivolare le flange sul fondo del sedile nei binari localizzati sui lati dei galleggianti.
4. Completare il gonfiaggio di tutte le camere del gommone al 100% o alla pressione di 0,25 bar. Il tubo principale dei gommoni ha una valvola integrata contro la sovrappressione per una maggior sicurezza.
5. Fissare i remi agganciandoli alle sedi apposite

SGONFIAGGIO

Rimuovere i cappucci delle valvole esterne per esporre lo stelo in plastica della valvola interna. Premere lo stelo per scaricare la pressione dell'aria, e ruotare la valvola per bloccarla in posizione aperta. Sgonfiare ogni camera dello scafo al 50-75% prima di sgonfiare completamente una qualsiasi delle camere d'aria. Rimuovere e smontare il paiolato.

Nota: Non sgonfiare completamente una camera quando le altre sono completamente gonfiate. Questo potrebbe danneggiare le paratie del gommone.

MANUTENZIONE E CONSERVAZIONE

- Pulire il gommone togliendo eventuali residui di sabbia e sporco, lasciandolo asciugare completamente prima di riporlo nella sacca. La maggior parte dello sporco può essere rimosso semplicemente con una gomma d'acqua da giardino, una spugna e sapone

neutro. Non utilizzare detergenti chimici aggressivi.

- Non utilizzare mai prodotti contenenti alcol per pulire il vostro gommone. Ciò potrebbe comportare un invecchiamento precoce del materiale con cui sono realizzati i galleggianti.
- Conservare in un luogo asciutto e pulito. Non conservare a temperature estreme (sotto i -10° C e sopra i 65° C).
- Se si conserva il gommone per lunghi periodi ripiegato nella sacca, assicurarsi che sia completamente asciutto, non cospargere con talco o altre polveri simili.
- Può essere conservato gonfiato o sgonfiato.
- Se lasciato all'aperto, si consiglia di tenerlo sollevato da terra.
- Se è esposto alla luce diretta del sole, alla caduta di foglie o bacche o alla pioggia, coprirlo con un telo.
- Appendere la barca non è raccomandato.
- Se si lascia il gommone in acqua, probabilmente si dovrà drenare l'acqua piovana caduta all'interno di tanto in tanto. Se si conserva in un ripostiglio, cantina o garage, vi consigliamo di scegliere un luogo fresco, asciutto, assicurandosi che il gommone sia ben pulito e asciutto prima di riporlo, per evitare il pericolo di formazione di muffa.
- Non lasciare mai una barca con carburante nel serbatoio in una stanza, dove i vapori dello stesso potrebbero raggiungere una fiamma, una scintilla o una forte fonte di calore.

RISOLUZIONE DEI PROBLEMI

1. Perdite

Dopo 2 o 3 giorni si potrebbe verificare una piccola diminuzione della pressione dovuta al cambiamento di temperatura. Se è così, aggiungete aria in ogni camera tramite la pompa apposita a pedale. Se la pressione dell'aria si riduce e la causa non è imputabile ad una diminuzione della temperatura, controllare se ci sono perdite nel gommone, iniziando dalle valvole. Lo strumento migliore per trovare le

1

perdite è munirsi di un flacone con spruzzino riempito con una soluzione di acqua e sapone. E' raro trovare valvole con perdite, ma in questo caso saremo in grado di inviarne una nuova in sostituzione. Si consiglia di miscelare acqua e sapone in un flacone a spruzzo. Spruzzare attorno alla valvola. Se si nota la formazione di avere problemi, probabilmente è necessario ordinare nuove valvole per la sostituzione. La sostituzione dell'intera valvola può essere fatta con un semplice strumento che viene fornito a corredo della valvola di ricambio.

2. Individuazione di forature

Se la barca perde aria e tutte le valvole sono efficienti, probabilmente avete una piccola foratura. Le piccole forature possono essere riparate facilmente e permanentemente. Spruzzare con la soluzione acqua e sapone all'interno e all'esterno dello scafo fino a che non si rileva la presenza di bolle d'aria, che indicano la posizione della perdita. Se non avete la fortuna di trovare la piccola perdita con il sistema delle bolle d'aria, gonfiare il gommone alla massima pressione e cercare di individuare tramite l'udito il sibilo dell'aria che esce dalla foratura. Se è possibile individuare l'area esatta da cui proviene il sibilo, dotarsi nuovamente del flacone con spruzzino per identificare la fonte esatta della perdita. Forature con dimensioni inferiori ai 3 mm possono essere riparate senza il bisogno di utilizzare una toppa. Sgonfiare il gommone, poi pulire per bene la zona in cui è presente la foratura, verificando che rimanga perfettamente asciutta. Applicare una piccola goccia di colla per coprire la foratura e lasciare asciugare per 12 ore. Se è strettamente necessario utilizzare il gommone prima delle 12 ore, lasciare asciugare 30 minuti e poi gonfiare il gommone, con l'avvertenza di gonfiare il vano con la riparazione solo per 3/4. Questa riparazione potrebbe non essere permanente, così si consiglia di aggiungere un' ulteriore goccia di colla successivamente.

3. Strappi o lacerazioni

I gommoni sono forniti con un kit di riparazione come dotazione standard. Se non si dispone più del kit di riparazione originale, è possibile ordinarne uno nuovo dal vostro rivenditore. Tagliare un pezzo di materiale di riparazione abbastanza grande da sovrapporsi alla zona danneggiata di circa 12 millimetri e arrotondare gli spigoli. Applicare la nostra colla sul lato inferiore della pezza e intorno alla zona da riparare. Troppa colla interferisce con una corretta riparazione. Lasciare che l'adesivo diventi appiccicoso per 2-4 minuti, quindi posizionare la pezza sulla zona danneggiata. Applicare un peso di 3-5 kg per garantire la pressione corretta sulla pezza per 12 ore. Dopo che la pezza si è essiccata, applicare colla sui bordi, per una tenuta completa (tempo di asciugatura di 4 ore).

4. Riparazioni grandi e difficili

Se ci si trova di fronte ad una riparazione difficile, contattare il Servizio Clienti Fox, in modo da potervi consigliare la soluzione migliore per risolvere il problema.

5. Se si nota che entra acqua in barca, verificare quanto segue:

- La valvola di scarico è aperta?
- Il diaframma nella valvola di scarico funziona correttamente?
- Ha piovuto di recente?
- C'è un buco nel fondo ?

Registrazione della garanzia

È possibile registrare una garanzia per questo prodotto online sul sito web Fox - www.foxint.com. Accedere o creare un account per avviare la procedura di registrazione. Per completare la registrazione, è necessario il codice prodotto, la data di acquisto e il luogo di acquisto. Dopo la registrazione, prendere nota del codice di riferimento del cliente per visualizzare i dettagli della garanzia tramite l'account del sito web Fox.

La garanzia non copre le seguenti casistiche:

- Inflazione eccessiva dei tubi, superiore a 0,25 bar / 3,63 ps
- Perdita di aria dovuta a differenze di temperatura
- Perdita di aria attraverso la valvola di pressione in condizioni di caldo.
- Segni dovuti alla piegatura. Questo è normale, non scompariranno durante l'uso.
- Residui di colla. Tutte le barche Fox sono realizzate a mano, e un segno occasionale può essere visibile.
- Piccole imperfezioni sulle parti incollate, che non influiscono sull'utilizzo.
- Bassa perdita d'aria entro 48 ore (fino al 20% di perdita d'aria rispetto alla pressione d'esercizio).
- Danni causati dall'uso di solventi di qualsiasi tipo
- Danni causati da acido della batteria, olio o carburante.
- Danni causati da smalto per unghie, crema solare / olio.
- Danni causati da repellente per insetti.
- Danni causati da un uso improprio.
- Danni causati dalla pulizia ad alta pressione.
- Danni causati dall'uso di detergenti aggressivi.
- Danni causati da montaggio e smontaggio non corretti del gommone.
- Danni causati da stoccaggio improprio, scarsa ventilazione.
- Danni causati da pulizia e manutenzione inadeguata del gommone.
- Danni dovuti al trasporto.
- Danni causati dall'uso di compressori per gonfiare o sgonfiare l'imbarcazione.
- Danni dovuti a normale usura.
- Danni causati dall'uso della forza.
- Danni causati da animali ospitati sul gommone.
- Danni causati dall'acqua all'interno del tubo.
- Danneggiamento del gommone a causa di incuria e influenze esterne.
- Danni causati dalla partecipazione ad eventi tipo regate, di qualsiasi tipo.

- Danni causati dall'uso di accessori non approvati.
- Danni causati dal superamento della potenza massima accettabile KW / HP e dal peso del motore consentito.
- Danni causati dal superamento del carico utile consentito e del numero consigliato di persone.

* I vostri diritti statutari rimangono inalterati.

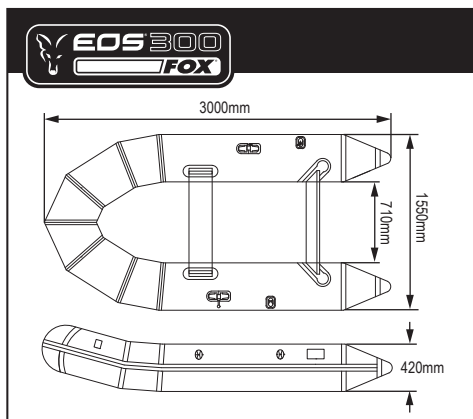
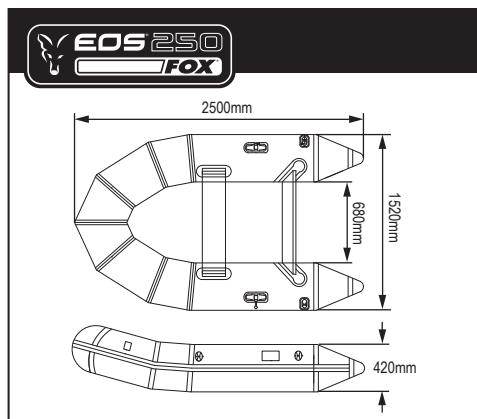
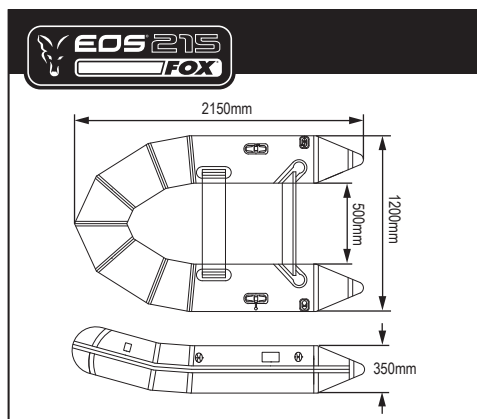
Se avete un problema con il vostro gommone coperto dalla garanzia, dovete procedere come segue:

1. Contattare il vostro rivenditore e spiegare il problema.
2. Il rivenditore dovrà inviare a Fox fotografie e una descrizione del problema, insieme alla prova di acquisto.
3. In seguito, confermeremo o meno se il problema è coperto dalla garanzia.
4. Una volta confermato il problema, il rivenditore dovrà inviare una richiesta di reso tramite corriere a Fox, in modo da organizzare il ritiro del gommone.
5. Successivamente, esamineremo il gommone e organizzeremo la riparazione o la sostituzione dello stesso.

1

SPECIFICHE TECNICHE DEI GOMMONI

Modello	Paiolato	Lunghezza (cm)	Larghezza (cm)	Camere	Tube (cm)	Persone	Carico Max (kgs)	Potenza (hp)
Fox EOS 215 Green	Slat	215	120	3	35	1	200	2.95
Fox EOS 250 Green	Slat	250	152	3	42	2	260	6.7
Fox EOS 300 Green	Slat	300	155	3	42	4	416	9.5



DICHIARAZIONE DI CONFORMITÀ

Con la presente, Fox International Group Ltd dichiara che le imbarcazioni Fox EOS (codici prodotto CIB036 e CIB037) sono conformi alle imbarcazioni da diporto e alle moto d'acqua personali - Direttiva per l'unione Europea 2013/53/UE e Regolamenti sulle imbarcazioni da diporto 2017 per il Regno Unito.

La Dichiarazione di Conformità è reperibile al seguente indirizzo:
<https://www.foxint.com/it/supporto/documenti-regolamento/>

www.foxint.com

eurocustomerservices@ratheroutdoors.com

A FOX CSÓNAKRÓL

Köszönjük, hogy a Fox csónakot választotta. Amennyiben helyesen kezeli, hosszú éveken keresztül lelheti örömét a használatában. Ezek a csónakok 30 perc alatt felfújhatók és összeállíthatók, így a szállításuk nem igényel tréler, mégis tökéletesen használhatók a horgászat során. Ez a kezelés útmutató segítséget nyújt önnek, hogyan tarthatja csónakját a lehető legjobb állapotban. Tartsa a leírást a csónakban, száraz helyen. Amennyiben szeretné eladni csónakját, biztosítsa, hogy ezt az utasítást az új tulajdonos megkapja.

AZ ÖN CSÓNAKJA ÉS A KÖRNYEZET

- A csónak használata közben mindig tartsa szem előtt a környezetvédelmet.
- Mellőzze a hangkibocsátási küszöbérték átlépését és kerülje a túlzott benzinfogyasztást.
- A csónak hullámokat és zajt kelt, melyek zavarhatják az élővilágot és a környezetét.
- Mindig tartsa be a hatályos hajózási törvényeket és szabályokat.

BIZTONSÁGI ELŐÍRÁSOK

- Olvassa át a leírást alaposan.
- Tengeri használatra nem alkalmas.
- A csónakmotor megvásárlása előtt olvassa át ezt a tájékoztatót, hogy ki tudja választani a legmegfelelőbbet.
- A csónakot vezető személy felelőssége, hogy tisztában legyen az érvényben lévő törvényekkel és előírásokkal, valamint tudnia és biztosítania kell az előírt felszereléseket.
- Az érvényes törvények és előírások területenként eltérőek lehetnek és az alábbi körülményektől függhetnek:
 - a csónak használatának helyszíne
 - a helyi hatóságok előírásai
 - a csónak használatának módja

- napszak
 - a használat körülményei
 - a méret, sebesség, útvonal, csónak típusa (teljesítmény, evezők, stb.)
 - a helymeghatározás módja
- A fedélzeten tartózkodó utasoknak megfelelő ruházatot kell viselniük és elegendő mentőmellénnyel kell rendelkezniük.
 - Győződjön meg róla, hogy a kötelezően előírt felszerelések (evezők, légpumpa és javító szett) a csónakban van. A kötelezően előírt felszereléseken felül egyéb túlélt segédeszközök is szükségesek lehetnek.
 - A csónakot vezető személy nem állhat drogok vagy alkohol hatása alatt.
 - Soha ne lépje túl a csónakon feltüntetett maximális terhelhetőséget és ne használjon a megengedettnél nagyobb teljesítményű motort.
 - Különösen ügyeljen a szélre és az árapályra, mert ezek jelentősen befolyásolhatják az üzemanyag fogyasztást.
 - Amennyiben ismeretlen vízben készülni horgászni, minden esetben tájékozódjon a lehetséges kockázatokról és veszélyekről.
 - Minden esetben közölje az indulásának idejét és helyét, valamint az útvonalat és a visszatérés idejét parton tartózkodó ismerőseivel.
 - Ne közlekedjen sötétben vagy kockázatos körülmények között, amennyiben nincs szabályos megvilágítás beszerelve.
 - Soha ne használjon kompresszort a csónak felfújásához. A túlzott nyomás az illesztések és/vagy az anyag szakadásához vezethet.
 - Mindig tartsa be a maximális motorteljesítményt! A túlzottan erős motor nehezen manőverezhetővé vagy instabillá változtathatja a csónakot, mely komoly következményekkel járhat.
 - Szerelje fel a motort vészleállító kötéllel. Segítségével a vezető a zsinór meghúzásával

leállíthatja a motort, ha ez a körülmények miatt szükségessé válik.

- Ellenőrizze rendszeresen, hogy a motort biztonságosan rögzítette a csónakhoz. A meglazult csavarok irányíthatatlanná változtathatják a csónakot, vagy ez egyszerűen lefordulhat a tükörlapról.

HAJÓZÁSI FIGYELMEZTETÉSEK

- Minden utasnak a csónakban kell ülnie és egy vagy két kézzel el kell érniük a fogantyúkat. Soha ne üljön a légkamrákra.
- A benzines motorok veszélyesek. Felelőtlen használatuk komoly sérüléshez vagy halálhoz vezethet. Soha ne használjon a felszerelésre alkalmatlan motort. Minden esetben maradjon távol a fürdőzőktől és ne engedje őket a csónak hátuljának közelébe, amikor a motor üzemben van.
- Mellőzze a hirtelen gázadást, mert az az utasok vízbe esését eredményezheti.
- Minden esetben ügyeljen a helyes súlyelosztásra. Benzinmotor használata esetén kerülje a hirtelen gázadást csekély mértékben megpakolt csónakkal. A rosszul irányított csónak instabilitást és manőverezési problémákat eredményezhet.
- Kerülje, vagy fokozott óvatossággal közelítse meg a homokzátványokat és a sekély vizeket.
- Amennyiben menet közben valamelyik légkamra kilyukad, helyezze a súlyterhelést az ellenkező oldalra. Próbálja meg kézzel vagy szíjjal megakadályozni a levegő szivárgását és forduljon a legközelebbi part irányába olyan gyorsan, amennyire ez lehetséges.
- Soha ne engedjen, hogy gyermek vezesse a csónakot szülői felügyelet nélkül.
- Az evezőket minden esetben vigye magával, a helyükön rögzítve.

KIKÖTÉS

- Lapos parton soha ne használja a motort a kikötéshez.

- A móló vagy a part közelében kerülje az éles tárgyakat.
- Soha ne húzza a hajót sziklás, homokos, kavicsos vagy kátrányozott felületen.
- Minden esetben kézben vigye a csónakot.
- Amennyiben hosszú ideig a parton kívánja hagyni a csónakot a napon, takarja le.
- Amennyiben a partközélemben hagyja csónakját, mindig hagyja a légkamrák egy részét a vízben, így elkerülheti a felmelegedett levegő okozta túlzott nyomást.
- Az első karikát soha ne használja vontatásra, mivel az csak a horgonyzásra vagy a kikötőben történő rögzítésre alkalmas.

LÁBPUMPA FIGYELMEZTETÉS:

- Soha ne használjon kompresszort a csónak felfújásához. A túlzott nyomás az illesztések és/vagy az anyag szakadásához vezethet. Használjon speciálisan erre a célra készült lábpumpát.
- A lábpumpa segítségével könnyedén a szükséges keménységre fújhatja a csónakot. A leeresztéshez csatlakoztassa a tömlőt az "outlet" feliratú lyukhoz. Kifejezetten javasoljuk, hogy biztonsági okokból a pumpát mindig tartsa a csónakban.
- Mielőtt hosszabb utazásra indulna, fújja fel a csónakot 24 órára, hogy megbizonyosodjon róla, hogy minden rendben van.

FIGYELEM:

Beszállás előtt mindig ellenőrizze, hogy a csónak megfelelően fel van-e fújva.

MEREVPADLÓS CSÓNAKÖSSZEÁLLÍTÁSI ÚTMUTATÓ

1. Tisztítsunk meg egy lapos területet (győződjünk meg arról, hogy nem található ott semmi éles tárgy) a csónak kihajtásához. Vegye ki a hajótestet a dobozából majd a táskából. Hajtsuk ki teljesen.

- Fújuk fel a csónakot a nagynyomású lábpumpával 90%-ig. A pumpálást kezdjük a légkamrán található biztonsági szelepen keresztül.

Megjegyzés: Ne használjunk légkompresszort. A légkompresszor használatából eredő sérülésekre a garancia nem vonatkozik.

- Helyezze be a fa ülést úgy, hogy az ülés alján található peremet a oldalsó tőlőkön található sínre csúsztatja.
- Fújuk fel az összes légkamrát 100%-ig, vagy 0.25bar nyomásig. A csónakok fő l égakmárja túlnyomásvédett szeleppel rendelkezik a kellő biztonság érdekében.
- Rögzítsük az evezőket, a tartókba pattintva.

LEERESZTÉS

Vegye le a szelepsapkákat, hogy hozzáférjen a biztonsági szelepekhez. Nyomja meg a szelepet a levegő leengedéséhez, és fordítsa el nyitott állapotban. Engedje le a levegő 50-75%-át mielőtt teljesen leengedi az össze légkamrát. Távolítsa el és szerelje szét a hajópadlót.

Megjegyzés: Soha ne engedjen le egy légkamrát úgy, hogy a többi teljesen felfújott állapotban van, mert ez a kamrák közötti válaszfal megrongálódáshoz vezethet.

KARBANTARTÁS ÉS TÁROLÁS

- Tisztán tartáshoz minden esetben mossa ki a homokot és a szennyeződésekét a csónakból, majd szárazon csomagolja el. Kerti víztömlő, szivacs és kímélő szappan használatával a legtöbb szennyeződés könnyedén eltávolítható. Soha ne használjon durva vegyi tisztítószeret.
- Soha ne használjon alkohol tartalmú fényesítő vagy tisztítószeret csónakja tisztításához, mert ez a csónak anyagának idő előtti

előregedéséhez vezethet.

- Tárolja csónakját tiszta, száraz helyen. Ne tartsa extrém hőmérsékleti viszonyok között (60°C felett / - 20°C alatt)
- Amennyiben hosszabb ideig zsákjában tárolja csónakját, biztosítsa, hogy száraz legyen, és ne érje semmilyen zsíros vagy poros anyag.
- Felfújva vagy leeresztve is tárolhatja.
- Amennyiben fedetlen helyen tárolja, tanácsos a földről felemelve tartani.
- Ha erős napfénynek vagy esőnek kitett helyen, gyümölcsfák vagy bogyós növények alatt tárolja, takarja le ponyvával.
- A csónak felakasztása nem javasolt.
- Amennyiben hosszabb ideig a vizen hagyja a csónakot, valószínűleg bizonyos időközönként szükséges lesz a víz kimerése. Ha szekrényben, pincében vagy garázsban tárolja, javasoljuk, hogy válasszon hűvös, száraz helyet. Győződjön meg róla, hogy a csónak teljesen száraz, különben a formája deformálódhat.
- Soha ne tárolja a csónakot és a benzintankot olyan helyen, ahol a benzingőz nyílt lánggal, szikrával vagy erős hőforrással érintkezhet.

HIBAEHÁRÍTÁS

1. Lékek

Kettő vagy három nap alatt kismértékű nyomáscsökkenés előfordulhat a hőmérséklet változásainak következtében. Ez esetben pótolja a levegőt minden légkamránál. Amennyiben a légnyomás nem a hidegebb időjárás miatt következett be, ellenőrizze a légkamrák felületét. Keressen hasadást, lyukat, kezdje a szelepekkel. A szivárgás felfedezésére a szappanos víz spriccelése a legalkalmasabb. A szelepek hibája ritkán fordul elő, azonban ha nem talál lyukat a csónakon, küldünk önnek szelepet. Amennyiben buborékot talál a szelep környékén, ellenőrizze az aljzatát és győződjön meg róla, hogy a csavar meg van húzva.

Amennyiben a probléma ezután is fennáll, valószínűleg új szelepekre lesz szükség. A szelepek cseréje könnyedén elvégezhető egy speciális eszköz segítségével, melyet a csere szelepekkel együtt elküldünk önnek.

2. A lyukak felfedezése

Amennyiben a légkamrák leeresztenek és a szelep tökéletesen működnek, a problémát valószínűleg kisméretű lyuk okozza. Az apró lyukak könnyen és tartósan javíthatók. Permetezzen szappanos vizet a légkamrák külső és belső felületére, amíg buborékok képződését nem tapasztalja, melyek jól jelzik a lyukakat. Amennyiben nem talál buborékokat, fújja fel a csónakot a maximális nyomásra és hallgatózzon, így megtalálhatja a léket. Ha leszűkítette a lyuk lehetséges területét, alkalmazza ismét a szappanos permetet. A 3mm-nél kisebb lyukak folt használata nélkül javíthatók. Eressze le a csónakot, majd tisztítsa meg a javítani kívánt felületet. Cseppentsen egy keveset a ragasztóból a lyukra, majd hagyja száradni 12 órán keresztül. Amennyiben hamarabb vissza kell mennie a vízre, várjon legalább 30 percet, majd fújja fel a csónakot úgy, hogy a javított légkamrát csak a maximális nyomás $\frac{3}{4}$ -ig pumpálja. Ez a javítás nem tartós, ezért később cseppentsen újra a ragasztóból a lyukra, majd várja ki a 12 órát.

3. Szakadások vagy Hasadások

A csónakot javító készlettel forgalmazzuk, mint alapfelszereltség. Amennyiben kifogy a készlet valamelyik eleméből, a forgalmazónál van lehetőség új készlet rendelésére. Vágjon egy darabot a javító anyagból, mely minden irányból legalább 12mm hosszán lefedi a sérült részt. Nyomjon ragasztót a folt alsó részére, és a sérülés környékére. Túlzottan sok ragasztó használatával lehetetlenné válik a megfelelő javítás. A foltra illetve csónakra kent ragasztó 2-4 perc leteltével ragadóssá válik,

ekkor helyezze a foltot megfelelően a helyére. Használjon 1.5-2 kg súlyú nehezéket a két felület összepréselésére, majd hagyja száradni 12 órán keresztül. Amikor a folt már száraz kenjen ragasztót a folt széleihez, így a javítás tökéletes lesz (hagyja száradni újabb 4 órán keresztül).

4. Nagyméretű és Nehezen Javítható Sérülések

Amennyiben a sérülés nehezen javítható, vegye fel a kapcsolatot a forgalmazóval és mi segítünk megtalálni a legjobb megoldást a probléma orvoslására.

5. Amennyiben a víz beszivárog a csónakba, ellenőrizze a következőket:

- A vízleeresztő szelep nyitva van-e?
- A vízleeresztő szelep membránja megfelelően működik-e?
- Eset-e nagyobb mennyiségű eső a közelmúltban?
- Lyukas-e a padló?

Garancia regisztrációs kártya

Beregisztrálhatja a termék garanciáját a Fox weboldalán keresztül - www.foint.com. Jelentkezzen be vagy hozzon létre egy fiókot regisztrációs folyamat megkezdéséhez. Szüksége lesz a termékkódra, a vásárlás helyére és ledejére a regisztráció befejezéséhez. A regisztráció után a Vásárlói kódjával megtekintheti a garancia részleteit a Fox weboldalán keresztül a felhasználói fiókjával.

A garancia nem vonatkozik a következőkre:

- A tömlőknél alkalmazott túlnyomás (több mint 0.25bar/3.63psi)
- Hőmérséklet különbség miatti légveszteség
- Nyomásszelepen keresztüli légveszteség forróságban
- Hajtásnyomok, ezek normálisak, használat közben eltűnnek

- Ragasztó maradékok. Minden Fox csónak kézzel készül és néha látható nyoma lehet a ragasztásnak.
- Kisebb ragasztási hiba, mely nem befolyásolja a használhatóságot.
- Alacsony légvesztesség 48 órán belül (a működési nyomáshoz képest 20% -kal nagyobb levegővesztesség).
- Bármilyen oldószer okozta károsodás
- Akkumulátor sav, olaj vagy benzin okozta károsodás
- Körömlakk, napkrém/napolaj okozta károsodás
- Rovarirtó okozta károsodás
- Nem megfelelő használatból eredő károsodás
- Nagynyomású tisztításból eredő károsodás
- Agresszív tisztítószerek általi károsodás
- A csónak nem megfelelő összeállításából vagy szétszedéséből adódó károsodás
- A nem megfelelő tárolásból, szelőzés hiányából eredő károsodás
- A csónak nem megfelelő tisztításából, karbantartásából eredő károsodás
- Szállítás közbeni sérülés
- Léggompresszor okozta károsodás.
- Használatból eredő kopás, szakadás.
- Erő hatására fellépő sérülés.
- Állatok által okozott sérülés
- Víz okozta károsodás a légkamra belsejében
- Hajótest sérülése gondatlanság valamint külső hatások következményében
- Versenyen való részvételből eredő károsodás
- Nem jóváhagyott tartozékok okozta károsodás
- KW / HP maximális elfogadható teljesítményének és megengedett motortömegének túllépése által okozott károk.
- A megengedett hasznos teher és az ajánlott személyek számának túllépése.

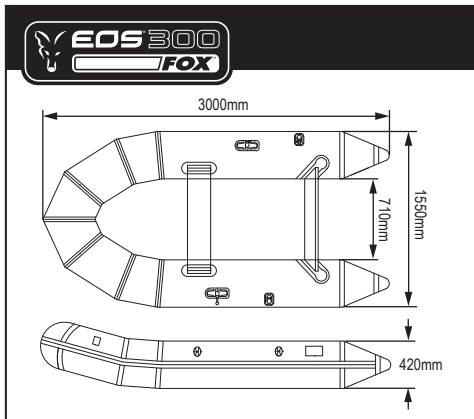
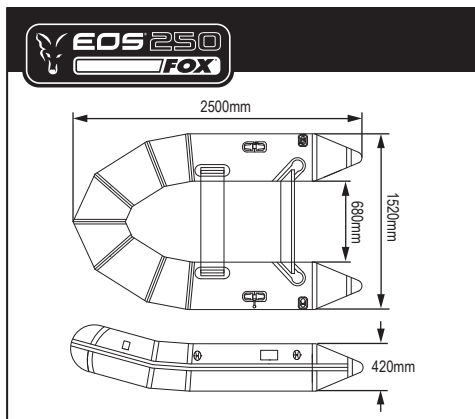
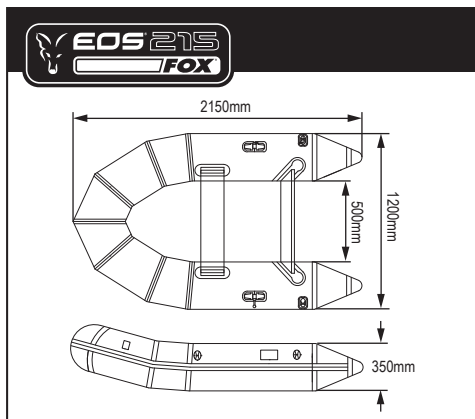
*Az Ön törvényes jogaira nem vonatkozik.

Ha problémája van a hajóval, amelyre a jótállás vonatkozik, az alábbiak szerint járjon el:

1. Vegye fel a kapcsolatot a vásárlás helyével és magyarázza meg a problémát.
2. A kiskereskedőnek meg kell küldenie Fox-nak a fényképet és a probléma magyarázatát a vásárlás igazolásával együtt.
3. Megerősítjük, hogy a probléma a garancia tárgyát képezi-e.
4. Miután megerősítette, a kiskereskedőnek küldenie kell egy visszaküldési kérelmet Fox-nak, és mi gondoskodunk a hajó összegyűjtéséről.
5. Ezután átnézzük a hajót és gondoskodunk a javításról vagy cseréről.

MŰSZAKI LEÍRÁS

Változat	Padló	Hosszúság (cm)	Szélesség (cm)	Légkamrák Száma	Légkamra (cm)	Szállítható Személyek	Max Súly (kg)	Teljesítmény (LE)
Fox EOS 215 Green	Slat	215	120	3	35	1	200	2.95
Fox EOS 250 Green	Slat	250	152	3	42	2	260	6.7
Fox EOS 300 Green	Slat	300	155	3	42	4	416	9.5



MEGFELELŐSÉGI NYILATKOZAT

A Fox International Group Ltd ezennel kijelenti, hogy a Fox EOS csónakok (CIB036 és a CIB037) megfelel az (EU) kedvezési célú vízi járművekre és motoros vízi sporteszközökre – a 2013/53/EU irányelvnek és az Egyesült Királyság 2017. évi szabadidős vízi járművekre vonatkozó szabályozásának.

A megfelelési nyilatkozat a következő címen érhető el:
<https://www.foxint.com/hu/tamogatás/declarations-of-conformity/>

www.foxint.com

eurocustomerservices@ratheroutdoors.com

О Вашей лодке FOX

Спасибо за приобретение лодки FOX.

При правильном обращении лодка прослужит Вам многие годы. Эти лодки можно полностью накачать и разобрать в течение получаса, поэтому нет никакой необходимости в специальном прицепе для транспортировки лодки от машины до воды. Лодки отлично подойдут для рыбной ловли. Это руководство поможет Вам ознакомиться с лодкой и сохранить ее в наилучших условиях. Держите это руководство в лодке при себе в сухом месте. При необходимости продажи лодки передайте это руководство ее новому владельцу.

Ваша лодка и окружающая среда

- Окружающая среда является хрупкой, пожалуйста, используйте Вашу лодку с максимальным уважением к окружающей среде.
- Избегайте превышения шумового порога и чрезмерного выброса паров топлива.
- Ваша лодка производит волны и шум, которые могут стать губительными для окружающей среды.
- Придерживайтесь местного законодательства и запретов об использовании лодок

Техника безопасности

- Внимательно прочитайте инструкции
- Не для использования в море
- Внимательно ознакомьтесь с руководством, которое прилагается к выбранному Вами подвесному мотору для лодки
- В ответственность владельца лодки входит знание законов, применимых к лодке его класса. Эти законы регламентируют оборудование лодки и то, как она должна управляться.
- Применимые законы и запреты могут меняться и различаться в зависимости от следующих факторов

- местом регистрации лодки
- требованиями местных властей

- типом использования лодки
- временем суток
- условиями использования
- размером, скоростью, маршрутом, типом лодки (мотор, весла и т.д.)
- режимом навигации

- Все пассажиры на борту должны иметь на себе соответствующую одежду и иметь спасательный жилет.
- Убедитесь, что стандартное оборудование лодки (весла, насос и ремонтный комплект) находятся на борту. Спасательное оборудование и необходимые документы могут иногда пригодиться.
- Индивид, находящийся в состоянии наркотического или алкогольного опьянения, не в состоянии управлять лодкой.
- Не превышайте максимальный показатель грузоподъемности и максимальный показатель мощности двигателя, указанный производителем.
- Особое внимание стоит обратить на ветер и волны, поскольку они влияют на расход топлива.
- Если Вы собираетесь плавать в незнакомых водах, проконсультируйтесь с теми, кто знает данную местность и может предупредить об опасностях и угрозах.
- Всегда сообщайте кому-либо на берегу время Вашего отплытия, место отплытия, Ваш маршрут и приблизительное время возвращения.
- Не управляйте лодкой в темноте или опасных условиях, если не было установлено надлежащее освещение.
- Не используйте источник со сжатым воздухом для накачивания лодки. Чрезмерное накачивание может привести к разрыву швов и/или стенок.
- Придерживайтесь показателя максимальной мощности мотора! Чрезмерно мощный мотор может стать причиной опасной маневренности и трудностей со стабильностью, что повлечет за собой серьезные последствия.

- Оснастите Ваш подвесной мотор шнуром аварийного отключения. Этот шнур выключит двигатель, если управляющий лодкой о какой-либо причине потянет за шнур.
- Регулярно проверяйте, чтобы мотор был безопасно закреплен. Ослабленные винты могут сделать судно неуправляемым или станут причиной отсоединения двигателя!

Предупреждения об управлении лодкой

- Все пассажиры должны сидеть внутри лодки и должны иметь возможность держаться за ручку лодки одной или обеими руками. Не сидите на бортах и носу лодки.
- Подвесные моторы опасны. Небрежное обращение с Вашим мотором может привести к серьезной травме или смерти. Никогда не оснащайте лодку двигателем, для которого она не предназначена. Находитесь поодаль от купальщиков и не позволяйте им приближаться к задней части лодки, когда мотор включен.
- Избегайте быстрых ускорений, которые могут стать причиной выпадения пассажиров за борт.
- Вес должен быть размещен равномерно. Не ускоряйтесь внезапно, если Ваша лодка оснащена мотором, но не тяжело загружена. Плохо контролируемая лодка может стать причиной проблем со стабильностью и маневренностью.
- Избегайте обломков, песчаных берегов и мелководья или передвигайтесь с максимальной осторожностью.
- Если один из отсеков был проткнут во время движения, сместите весь скарб на другую сторону лодки. Постарайтесь ограничить протекание своими руками или ремнем и как можно быстрее направляйтесь к ближайшему побережью.
- Не разрешайте детям управлять лодкой без наблюдения взрослых.
- Всегда фиксируйте Ваши весла в нужном положении.

Причаливание

- Не используйте мотор при высадке на пляж.
- Избегайте острых предметов при постановке лодки в док или вытаскивании на пляж.
- Не тащите лодку по скалам, песку, галечнику или покрытым смолой поверхностям.
- Всегда переносите лодку над землей.
- Покрывайте лодку, когда оставляете ее на солнце вне воды на длительный промежуток времени.
- Если Вы оставляете лодку на пляже, оставьте часть лодки в воде, чтобы лодка охлаждалась, что позволит избежать чрезмерного давления на отсеки с воздухом.
- Не рекомендуется тянуть лодку за переднее кольцо, предназначенное исключительно для швартовки или постановки на мертвый якорь.

Накачивание лодки

ПРЕДОСТЕРЕЖЕНИЕ:

- Не используйте источник со сжатым воздухом для накачивания лодки. Чрезмерное накачивание может привести к разрыву швов и/или стенок. Используйте специальные насосы для накачивания Вашей лодки.
- Ножной насос может обеспечить необходимое давление для полного накачивания лодки. Чтобы накачать лодку, вставьте шланг в выходное отверстие насоса. Мы настоятельно советуем Вам всегда иметь с собой на борту ножной насос для безопасности.
- Перед совершением длительного маршрута, накачайте лодку и продержите ее 24 часа чтобы убедиться, что все отсеки полностью герметичны.

ПРЕДУПРЕЖДЕНИЕ:

Перед посадкой всегда проверяйте, хорошо ли накачена лодка.

ИНСТРУКЦИЯ ПО СБОРКЕ ЛОДКИ С ЛАМЕЛЬНЫМ ПОЛОМ

1. Освободите ровное пространство (убедитесь, что оно чистое и не содержит острых предметов), чтобы развернуть лодку. Достаньте корпус лодки из коробки и достаньте его из сумки. Разверните корпус так, чтобы он лежал ровно.
2. Накачайте лодку ножным насосом высокого давления до 90%. Начните накачивать лодку с трубных секций, имеющих предохранительный клапан избыточного давления.

Внимание: Не используйте воздушный компрессор. Повреждение вашей лодки, вызванное чрезмерной накачкой от воздушного компрессора, не покрывается гарантией.

3. Установите деревянное сиденье, сдвинув фланцы на нижней части сиденья по рельсам, расположенным на боковых поплавках.
4. Накачайте все камеры корпуса до 100% или до давления 0,25 бар. Главная труба лодки имеет встроенный клапан избыточного давления для дополнительной безопасности.
5. Закрепите весла, вставив их в уключины.

Спускание лодки

Снимите заглушки на внешних клапанах, чтобы открыть пластиковый штырек на внутреннем клапане. Надавите на штырек, чтобы начать выпускать воздух из отсеков, и поверните его, чтобы зафиксировать клапан в открытом положении. Спустите каждый отсек примерно до 50-75% перед тем, как полностью спустить любой из отсеков для воздуха. Выньте и сложите пол.

Внимание: Не спускайте один отсек полностью, пока все остальные отсеки полностью накачены. Это может повредить перегородки Вашей лодки.

Уход и хранение

- Для очистки смойте шлангом песок и грязь и дайте лодке полностью высохнуть перед упаковкой. Большая часть грязи может быть смыта обычным садовым шлангом, губкой и мылом. Не используйте жесткие химические моющие средства.
- Никогда не используйте полирующие или чистящие продукты, содержащие алкоголь, для очистки Вашей лодки. Это может привести к преждевременному высыханию материала отсеков для воздуха.
- Храните лодку в чистом и сухом месте. Не храните лодку при экстремальных температурах (более 50 и менее 12 градусов по Цельсию).
- При длительном хранении лодки в сложенном состоянии внутри сумки, убедитесь, что она полностью сухая, не обрабатывайте лодку тальком или другими похожими составами.
- Лодку можно хранить в накаченном и спущенном виде.
- Если Вы оставляете лодку вне дома, то рекомендуется поднять ее над землей.
- Если на лодку падают прямые солнечные лучи, опавшие листья, дождь и другие осадки, то покройте ее защитной материей.
- Не рекомендуется подвешивать лодку.
- Если Вы оставляете лодку в воде, то, возможно, временами Вам придется вычерпывать дождевую воду. Если Вы храните лодку в чулане, в подвале или в гараже, то мы рекомендуем выбрать прохладное, сухое место. Перед упаковкой лодки обязательно убедитесь, чтобы лодка была чистой и сухой – иначе она может покрыться грибком.
- Никогда не храните лодку с топливом в канистре в комнате, где пары топлива могут достичь огня, искры или источника повышенного тепла.

Устранение неисправностей

1. Протекание

После 2 или 3 дней может быть небольшое понижение давления по причине изменения температуры. Если это так, сделайте несколько качков воздуха в каждый отсек. Если Вы теряете давление воздуха и это происходит не по причине более холодных температур, проверьте Вашу лодку на протекание, начав с клапанов. Лучший способ обнаружить течь – это мыльный раствор воды в бутылках-распылителях. Протекание клапанов встречается редко, но если Вы обнаружили такую течь, мы можем выслать Вам сменный клапан. Мы рекомендуем смешать мыло и воду в бутылки-распылителя. Побрызгайте раствором вокруг клапана. Если Вы увидите, как начнут появляться пузыри, проверьте основание клапана и убедитесь, что внутренняя вставка клапана плотно закручена. Если проблема не исчезла, то, возможно, настало время заказать новые клапаны. Замена целого клапана может быть произведена с помощью обычного инструмента, который поставляется со сменным клапаном.

2. Обнаружение проколов

Если лодка теряет воздух и все клапаны находятся в порядке, то, возможно, у Вас есть небольшой прокол. Малые проколы могут быть починены легко и быстро. Брызгайте раствором внутри и снаружи лодки до тех пор, пока пузыри не укажут на место прокола. Если Вам не удалось с помощью пузырей найти место прокола, накачайте лодку до максимального давления воздуха и вслушайтесь, чтобы найти прокол. Если Вы можете сузить зону поиска, возьмите снова мыльный раствор, чтобы определить источник течи. Осуществление небольших починок. Проколы менее 3мм можно легко починить без заплаток. Сдуйте Вашу лодку, после чего очистите и высушите зону починки. Капните каплей клея поверх прокола и оставьте просохнуть в течение

12 часов. Если же Вам нужно вскоре выйти на воду, дайте клею подсохнуть 30 минут и затем накачайте лодку, накачав отсек с починенным местом лишь на 3/4 от максимума. Эта починка может быть недолговременной, поэтому снова добавьте каплю клея позже, чтобы починить прокол на долгое время.

3. Разрезы и дырки

Ваша лодка идет в комплекте с ремонтным комплектом в стандартной комплектации. Если Вы потеряли свой ремонтный комплект, Вы можете заказать новый комплект у своего дилера. Отрежьте кусок материала для починки, чтобы он покрывал поврежденный участок примерно на 12 см с каждой стороны. Закруглите концы этого куска. Нанесите наш клей на нижнюю сторону заплатки и на область починки. Излишнее количество клея помешает качественной починке. Позвольте клею немного загустеть в течение 2-4 минут, после чего поместите заплатку на поврежденный участок. Приложите груз, массой, 1,5-3 кг, на 12 часов. После того, как заплатка подсохла, нанесите клей по краям заплатки для полной герметизации (высыхать в течение 4 часов).

4. Большие и сложные починки.

Если Вам нужно осуществить сложную починку, свяжитесь с отделом по работе с покупателями и мы посоветуем Вам лучший способ починки Вашей лодки.

5. Если Вы видите, как вода попадает внутрь лодки, проверьте следующее:

- Открыт ли спускной клапан?
- Работает ли мембрана в спускном клапане должным образом?
- Шел ли недавно дождь?
- Есть ли дыра в полу лодки?

Гарантия не распространяется на следующее:

- Превышение допустимого давления при накачивании труб – более 0,25 бар/3,63 psi.

- Потеря давления из-за разницы температур.
- Потеря давления через клапан в жарких условиях.
- Складки. Это – нормально, они исчезнут в процессе использования.
- Остатки клея. Все лодки Fox – ручной сборки, поэтому случайные следы клея могут быть видимы.
- Небольшие несовершенства на склеенных стыках, которые не влияют на функциональность.
- Небольшая потеря давления за 48 часов (потеря давления до 20% по сравнению с рабочим давлением).
- Повреждения, причиненные при помощи растворителей любого вида
- Повреждения, причиненные кислотой из батареек, маслом и топливом.
- Повреждения, причиненные лаком для ногтей, лосьоном/маслом для загара.
- Повреждения, вызванные репеллентами.
- Повреждения, причиненные неправильным использованием.
- Повреждения, причиненные мойкой высокого давления.
- Повреждения, вызванные применением агрессивных моющих средств.
- Повреждения, вызванные неправильной сборкой и разборкой лодки.
- Повреждения, причиненные неправильным хранением, плохой вентиляцией.
- Повреждения, вызванные ненадлежащей чисткой и обслуживанием лодки.
- Повреждения при транспортировке.
- Повреждения, причиненные компрессорами при накачивании или сдувании лодки.
- Повреждение из-за естественного износа.
- Ущерб, причиненный с применением силы.
- Ущерб, причиненный животными на или в лодке.
- Повреждения, вызванные водой внутри надувных труб лодки.
- Повреждения корпуса в результате неосторожности, а также внешних воздействий.
- Ущерб, причиненный участием в гонках

любого вида.

- Повреждения, вызванные использованием неодобренных аксессуаров.
- Повреждения, вызванные превышением максимально допустимой мощности кВт/л.с., а также допустимой массы двигателя.
- Повреждения, вызванные превышением допустимой полезной нагрузки и рекомендуемого количества людей.

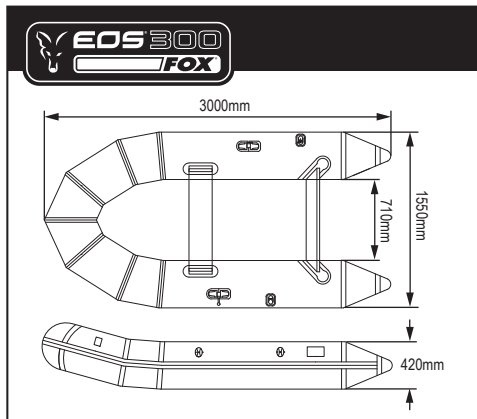
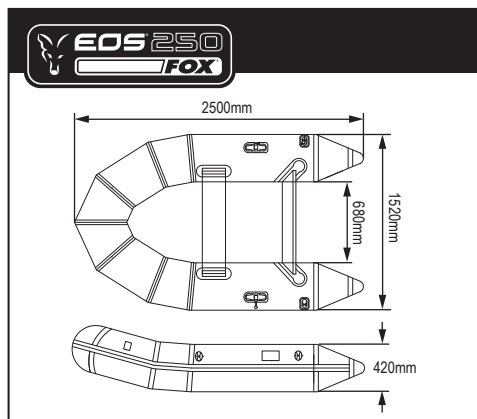
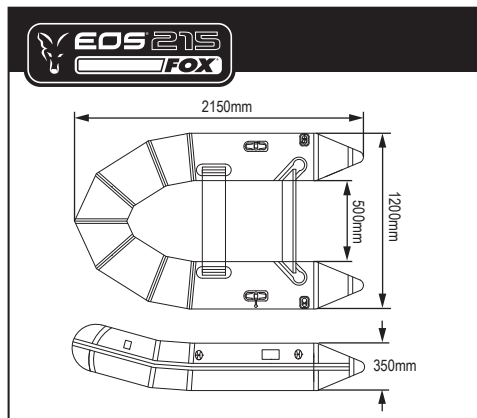
*Ваши законные права остаются неизменными.

Если у вас возникли проблемы с лодкой, на которую распространяется гарантия, действуйте следующим образом:

1. Обратитесь по месту покупки и объясните проблему в случае приобретения товара в партнерской сети официального представителя Fox в России.
2. Розничный продавец должен будет отправить фотографию повреждения в компанию CarpTime, официальному торговому представителю Fox и объяснение проблемы вместе с доказательством покупки (чек товарный либо кассовый на покупку).
3. Мы подтвердим, если проблема покрывается гарантией.
4. Затем мы осмотрим лодку и организуем ремонт или замену через компанию CarpTime, соответственно.

Характеристика лодки

Код	Дно	Длина (см)	Ширина (см)	Отсеки	Диаметр борта (см)	Пассажировместимость	Грузоподъемность (кг)	Максимальная мощность мотора (hp)
Fox EOS 215 Green	Slat	215	120	3	35	1	200	2.95
Fox EOS 250 Green	Slat	250	152	3	42	2	260	6.7
Fox EOS 300 Green	Slat	300	155	3	42	4	416	9.5



ДЕКЛАРАЦИЯ СООТВЕТСТВИЯ

Настоящим Fox International Group Ltd заявляет, что Лодки Fox EOS (CIB036 и CIB037) соответствуют Директиве ЕС о прогулочных судах и личных плавсредствах 2013/53/EU и Правилам Великобритании о прогулочных судах 2017 года.

С Декларацией соответствия можно ознакомиться по следующему адресу:
<https://www.foxint.com/ru/поддержка/declarations-of-conformity/>

www.foxint.com

eurocustomerservices@ratheroutdoors.com

INFORMACE O VAŠEM BOAT

Děkujeme, že jste si zakoupili Boat. Jestliže se o něj budete náležitě starat, bude Vám přinášet radost mnoho let. Tyto lodě mohou být nafouknuty a sestaveny během 30 minut. Od auta k vodě je přemístíte bez nutnosti vozíku a jsou ideální pro rybářské výpravy. Tento návod by Vám měl pomoci lépe poznat člun, jeho vlastnosti a udržet jej dlouho ve správné kondici. Uchovejte manuál v lodi na suchém místě. Jestliže loď prodáváte, vždy dodejte novému majiteli tento návod.

LOĎ A ŽIVOTNÍ PROSTŘEDÍ

- Šetřeme životní prostředí, proto používejme loď s ohledem na něj.
- Vyvarujte se vytváření nadměrného hluku a motorových výparů.
- Vaše loď produkuje vlny a hluk, které jsou škodlivé pro životní prostředí.
- Respektujte místní zákony a regulace pro loďní dopravu.

BEZPEČNOSTNÍ INSTRUKCE

- Řádně si přečtete instrukce
- Nepoužívat v moři.
- Řádně si přečtete instrukce k Vašemu motoru, zda jej lze použít v kombinaci s tímto člunem
- Je odpovědností uživatele, aby člun používal v souladu se zákony a nařízeními dané země, například aby měl všechno požadované vybavení pro provoz lodí.
- Uplatňované zákony a nařízení mohou být upraveny díky těmto faktorům:

- místo, kde je loď provozována
- nařízení místní vlády a úřadů
- způsob použití lodí
- časem použití lodí
- provozníma podmínkama
- velikostí, rychlostí, dráhou, typem lodí (s motorem, vesla, atd.)
- režimem navigace

- Všichni na lodi musí být řádně oblečení a mít na sobě záchranou vestu.
- Vždy se ujistěte, že všechno potřebné vy-

bavení (vesla, pumpa a balíček na opravu lodí) je ve člunu. Jiné nepovinné pomůcky k přežití jsou někdy také potřeba.

- Osoby pod vlivem drog či v podnapilém stavu nejsou způsobilí řídit loď.
- Nikdy nepřekračujte povolenou hmotnost nákladu člunu a také výkon motoru, které jsou uvedeny na desce lodí.
- Zvláštní pozornost věnujte také větru a přílivu, protože mají určitý vliv na spotřebu paliva.
- Jestliže plánujete plavbu do neznámých vod, vždy to konzultujte s někým, kdo tyto vody zná. Omezíte tak případné nebezpečí.
- Vždy před odjezdem na vodu nahlaste někomu na pevnině čas a místo odjezdu, Váš plán plavby přibližný čas návratu.
- Nejezděte za tmy a nebo za nepříznivých povětrnostních podmínek, pokud nemáte na lodi instalovány bezpečnostní světla.
- Nepoužívejte k nafouknutí člunu stlačený vzduch v láhvi. Mohlo by dojít k přetlakování a tím prasknutí ve švech či na stěně člunu.
- Respektujte maximální uvedenou sílu motoru, který na člunu může být použit! Příliš silný motor může způsobit horší ovladatelnost a stabilitu člunu s nebezpečnými následky.
- Vybavte Váš motor bezpečnostním odpadávacím kabelem, který při Vašem pádu či z jiného důvodu, při rozpojení motor vypne.
- Pravidelně kontrolujte, zda je motor řádně upevněn a šrouby dotaženy. Jeho uvolnění může vést k neovladatelnosti člunu a následné ztrátě motoru.

UPOZORNĚNÍ PŘED JÍZDOU

- Všichni pasažéři musí sedět uvnitř člunu a musí být schopni se držet jednoho či dvou madel. Nikdy neseďte na válci.
- Motory jsou velmi nebezpečné. Hrubé a neodborné zacházení s těmito motory může vést k vážným úrazům či smrti. Nikdy nepoužívejte motor, který není v pořádku. Držte se dál od plavců a nikdy nemějte plavce u zadní části člunu s motorem.
- Nikdy prudce nezrychlujte. Mohlo by to vést k pádu pasažérů do vody.
- Váha v člunu musí být rovnoměrně rozložena.

Nikdy prudce nezrychlujte, když používáte motor a člun není dostatečně zatížen. Mohlo by to způsobit problémy se stabilitou a manévrovatelností člunu.

- Vyhněte se písčným plážím a mělkým vodám a pokud to nelze, tak v těchto oblastech jezděte s tou nejvyšší opatrností.
- Jestliže během plavby jeden plovák prorazíte, přemístěte náklad na opačnou stranu. Snažte se omezit únik vzduchu z proraženého místa rukou či popruhem a snažte se okamžitě dorazit k nejbližší pevnině.
- Nikdy nenechte řídit děti člun bez dozoru dospělé osoby.
- Vždy řádně upevněte vesla.

PŘIPLUTÍ

- Nepoužívejte motor při vylození.
- Vyhněte se ostrým předmětům při návratu do přístavu.
- Netáhněte loď přes skály, písek, asphalt a jiné povrchy, které mohou poničit loď.
- Vždy loď přenášejte.
- Loď vždy přikryjte, pokud ji budete nechávat na vodě na přímém slunci po delší dobu.
- Jestliže necháváte loď na pláži, vždy nechte část člunu ve vodě, aby se člun vodou ochlazoval a nedošlo k přetlakování plováků.
- Nedoporučuje se táhnout člun za přední kroužek. Ten je určen pouze pro ukotvení nebo přivázání člunu.

NAFOUKNUTÍ UPOZORNĚNÍ:

- Nepoužívejte k nafouknutí člunu stlačený vzduch v láhvi. Mohlo by dojít k přetlakování a tím prasknutí ve švech či na stěně člunu. K nafouknutí použijte speciální automatické nebo nožní pumpy.
- Nožní pumpa dostatečně nafoukne tento člun. Pro nafouknutí, vsuňte hadici do otvoru na pumpě. Doporučujeme sebou v lodi vozit nožní pumpu z bezpečnostních důvodů.
- Před dlouhou plavbou, doporučujeme člun nafouknout 24 hodin dopředu, aby jste zjistili, jestli člun někde neuchází a je v naprostém pořádku.

POZOR:

Před naloděním vždy zkontrolujte, zda je člun řádně nafouknutý.

POKYNY PRO SESTAVENÍ ČLUNU S LAMELOVOU PODLÁŽKOU

1. Je nutné najít rovnou zem bez ostrých předmětů, které nám mohly poškodit člun. Vyjměte trup člunu z krabice a rozprostřete jej na rovnou zem.
2. Nafoukněte člun vysokotlakou nožní pumpou na 90% kapacity člunu. Začněte foukat člun od válců s přetlakovými bezpečnostními ventily.

POZNÁMKA: Nepoužívejte vzduchový kompresor. Poškození Vašeho člunu způsobeno nadměrným nafouknutím pomocí vzduchového kompresoru není kryto zárukou.

3. Namontujte dřevěné sedadlo zasunutím přírub na spodní straně sedadla do kolejnič umístěných na bočních nafuko vacích komorách.
4. Dokončete nafukování všech komor na 100% kapacity nebo na tlak 0.25baru. Hlavní část člunu má vestavěný přetlakový ventil pro větší bezpečnost.
5. Zabezpečte vesla tím, že je připevníte do úchyťů na obou válcích.

VYFOUKNUTÍ

Odšroubujte vnější krytky ventilů. Zmáčkněte ventilek tak, aby začal unikat vzduch a ventilkem lehce otočte. Tím jej zajistíte a vzduch bude unikat samovolně bez nutnosti ventilek tlačit. Vyfoukněte zprvu všechny komory na 50 – 70%. Odstraňte z člunu podlážku. Nyní můžete komory úplně vyfouknout.

Poznámka: Nikdy úplně nevyfukujte jednu komoru, pokud jsou ostatní plně nafouknuté. Může to způsobit zničení přepážek mezi komorami.

ÚDRŽBA & SKLADOVÁNÍ

- Očistěte řádně veškeré části člunu a osušte jej, než jej složíte k uskladnění. Většinu nečistot odstraníte opláchnutím zahradní hadicí, kartáčem a jemným mýdlem. Nepoužívejte agresivní čisticí prostředky.
- Nikdy nepoužívejte na očistění člunu čisticí přípravky s obsahem alkoholu. Může to vést k předčasnému vysušení a zničení materiálu plováku.
- Skladujte na čistém a suchém místě. Neskladujte v extrémních teplotách nad 65 stupňů Celsia a pod minus 23 stupněmi Celsia.
- Jestliže budete skladovat člun na delší dobu, ujistěte se, že je řádně vysušený a bez nečistot.
- Můžete člun skladovat jak vyfouknutý, tak i nafouknutý.
- Jestliže jej skladujete ve venkovním prostředí, doporučujeme jej nenechávat na zemi, ale zvednout jej nad zem.
- Jestliže bude člun skladován na přímém slunci, pod stromy, či keři, doporučujeme člun zakrýt plachtou.
- Nedoporučujeme člun zavěšovat.
- Jestliže budete člun skladovat venku na vodě, zajistěte odtok dešťové vody. Jestliže budete skladovat člun ve skříni, sklepě či garáži, doporučujeme vybrat suché chladné místo a ujistit se, že člun je čistý a suchý. Jinak může dojít k tvorbě plísní.
- Nikdy neskladujte člun společně s kanistrem paliva na místech, kde mohou vzplanout palivové výpary díky plamenu, jiskře či vysoké teplotě.

Řešení problémů

1. Únik vzduchu

Po dvou až třech dnech může dojít k malému poklesu tlaku z důvodu změn teploty. Jestliže k tomu dojde, lehce dofoukněte všechny komory. Jestliže dojde k poklesu tlaku v člunu a přitom nedošlo k ochlazení venkovní teploty, zkontrolujte člun, jestli někde nedochází k úniku vzduchu. Začněte u ventilů. K tomu je nejlepší mýdlová voda ve spreji. Ucházející ventil člunu

není obvyklý, ale pokud k tomu přecejzenom dojde, zašleme Vám nový ventil. Doporučujeme smíchat vodu s mýdlem a to vše v láhvi, která jde natlakovat a použít tak jako sprej. Mýdlovou vodu nastříkejte okolo ventilu. Jestliže pak uvidíte se tvořit okolo ventilu bubliny, nejprve zjistěte, jestli je ventil ve správné poloze a řádně dotažen. Pakliže je to v pořádku a přesto dochází k tvorbě bublinek, nastal ten správný čas na výměnu ventilu. Výměna ventilu je jednoduchá záležitost a hravě ji zvládnete za pomoci nástroje, který od nás obdržíte společně s novým ventilem.

2. Nalezení děr

Jestliže loď ztrácí vzduch a přitom všechny ventily jsou v pořádku, pak máte někde nejspíše malou díрку. Malé dírky jdou velmi lehce zalepit. Postupně stříkejte mýdlovou vodu na vnitřní i vnější část trupu lodi, dokud nevidíte místo s dírkou, tedy místo s bublinkami. Jestliže se Vám nepodaří najít místo s dírkou za pomoci mýdlové vody a bublin, pak nafoukněte maximálně možné člun a poslouchejte, zda neuslyšíte někde únik vzduchu. Tím naleznete přibližné místo úniku vzduchu a za pomoci spreje s mýdlovou vodou, pak lehce určíte místo úniku. Malé opravy. Dírky menší než 3mm mohou být jednoduše opraveny bez pomoci záplat. Vyfoukněte člun a následně očistěte a osušte místo úniku vzduchu, které chcete opravit. Naneste na díрку jen malé množství lepidla a nechte 12 hodin schnout. Jestliže potřebujete vyrazit na vodu dřívě, nechte schnout alespoň 30 minut a pak tu část, která se opravovala, nafoukněte jen ze ¼. Tato oprava není na stálo, proto postižené místo opravte později ještě jednou a permanentně.

3. Trhliny

Vaši loď dostáváte i se sadou na opravu člunu. Jestliže už ji nemáte, dá se lehce zakoupit či objednat u Vašeho prodejce. Odstříhnete dostatečný kus materiálu na přelepení zničené části lode, přibližně 12mm a přilepte jej na proděravělé místo. Použijte k tomu naše lepidlo, které dostáváte spolu se člunem. Příliš velké

množství lepidla je spíše ku škodě. Naneste lepidlo na záplatu a nechte tak 2 – 4 minuty působit. Poté ji přilepte na postižené místo. Nechte působit váhu tak 3 – 5 lbs na záplatu. Jakmile záplata uschne, naneste lepidlo ještě okolo záplaty (bude suché do 4 hodin).

4. Velké a obtížné opravy

Jestliže máte obtíže s opravou nebo je potřeba velká oprava, neváhejte kontaktovat naše Zákaznické oddělení a my Vám poradíme, jak nejlépe člun opravít.

5. Jestliže uvidíte vnikat vodu do člunu, zjistěte zda:

- je vypouštěcí ventil otevřený?
- pracuje membrána vypouštěcího ventilu v pořádku?
- Neustále prší?
- Nemáte díru ve spodku lodi?

ZÁRUČNÍ REGISTRAČNÍ KARTA

Záruku tohoto produktu můžete registrovat online na webu společnosti Fox - www.foxint.com. Přihlaste se, nebo vytvořte účet, pro zahájení procesu registrace. Pro dokončení registrace budete potřebovat kód produktu, datum nákupu a místo nákupu. Po registraci si poznamenejte svůj referenční kód pro zákazníky a podívejte se na podrobnosti týkající se záruky prostřednictvím Vašeho osobního účtu Fox.

Záruka se nevztahuje na tyto poškození:

- Nadměrné nafukování komor větší než 0,25bar / 3.63psi
- Ztráta vzduchu způsobena změnou venkovní teploty
- Ztráta vzduchu skrze ventily v horkém počasí
- Známky přeloženého člunu. Během používání tyto značky zmizí.
- Zbytky lepidla. Všechny čluny Fox jsou vyráběny ručně a zbytky lepidla mohou být občas vidět.
- Malé nedokonalosti na lepených částech, které neovlivňují použitelnost.
- Ztráta vzduchu během 48 hodin (až 20%

kapacity vzduchu v porovnání s provozním tlakem)

- Poškození způsobené použitím rozpouštědel jakéhokoli druhu.
- Škody způsobené kyselinou, olejem a palivem.
- Poškození způsobené lakem na nehty, opalo vacím mlékem /olejem.
- Poškození způsobené repelentem proti hmyzu.
- Poškození způsobené nesprávním použitím.
- Poškození způsobené vysokotlakým čištěním.
- Poškození způsobené použitím agresivních čistících prostředků
- Poškození způsobené nesprávnou montáží a demontáží člunu
- Poškození způsobené špatným skladováním, špatným větráním.
- Poškození způsobené nedostatečným čištěním a údržbou
- Poškození způsobené při přepravě.
- Poškození způsobené použitím tlakových kompresorů pro nafouknutí nebo vyfouknutí člunu.
- Poškození způsobené normálním opotřebením.
- Poškození způsobené použitím nadměrné síly.
- Poškození způsobené zvířaty, ať už v člunu nebo z venku člunu.
- Poškození způsobené vodou uvnitř komor.
- Poškození konstrukce v důsledku nedbalosti a vnějších vlivů.
- Škody způsobené účastí na závodních akcích jakéhokoli druhu.
- Poškození způsobené použitím neschváleného příslušenství.
- Škody způsobené překročením maximálního přípustného výkonu KW /HP a přípustné hmotností motoru.
- Poškození způsobené překročením povoleného užitečného zatížení a doporučeného počtu osob.

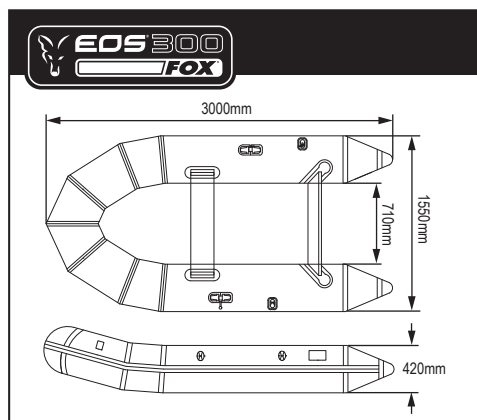
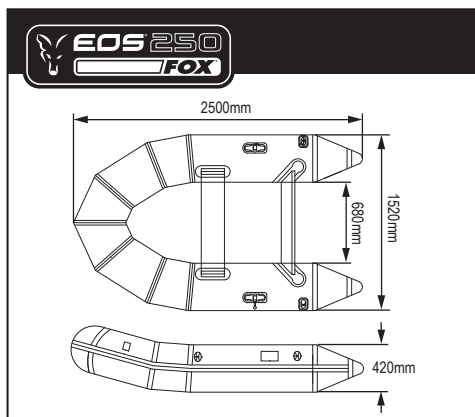
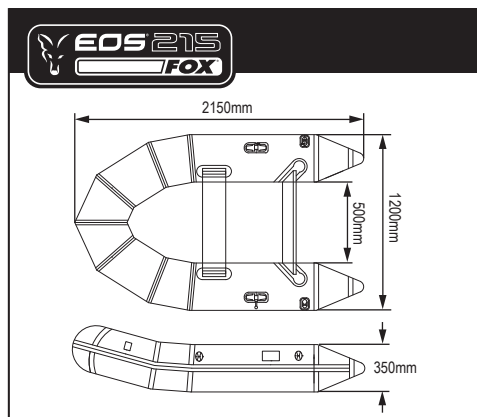
* Vaše zákonná práva zůstávají nedotčena

Pokud máte problém s člunem, na který se vztahuje záruka, postupujte následovně:

1. Kontaktujte prodejce a popište závadu.
2. Prodejce bude muset společnosti Fox poslat fotografii a vysvětlení problému spolu s dokladem o koupi.
3. Potvrdíme, že se na problém vztahuje záruka.
4. Poté, co je to prodejcem potvrzeno, musí kupující dopravit člun k prodejci a společnost Fox zajistí svoz člunu.
5. Poté přezkoumáme člun a odpovídajícím způsobem zajistíme opravu nebo výměnu.

SPECIFIKACE

Typ	Podlaha	Délka (cm)	Šířka (cm)	Komory	Průměr válce (cm)	Počet osob	Max náklad (kgs)	Výkon motoru (hp)
Fox EOS 215 Green	Slat	215	120	3	35	1	200	2.95
Fox EOS 250 Green	Slat	250	152	3	42	2	260	6.7
Fox EOS 300 Green	Slat	300	155	3	42	4	416	9.5



PROHLÁŠENÍ O SHODĚ

Fox International Group Ltd tímto prohlašuje, že čluny Fox EOS Boats (CIB036 a CIB037) jsou v souladu se směrnicí Evropského parlamentu a rady o Rekreačních plavidlech a vodních skútrech 2013/53/EU a nařízením o Rekreačních plavidlech Spojeného království 2017.

Prohlášení o shodě lze ke stažení na následující adrese:
<https://www.foxint.com/cz/podpora/support/zakonné-dokumenty/>

www.foxint.com

eurocustomerservices@ratheroutdoors.com

TWÓJ PONTON FOX

Dziękujemy za zakup pontonu Fox. Używając go właściwie powinieneś się nim cieszyć przez wiele lat. Napompowanie i złożenie pontonu zajmuje około 30 minut, dzięki czemu nie musisz korzystać z przyczepki podczas transportu pontonu nad wodę. Jest to idealne rozwiązanie na wędkarskie zasiadki. Instrukcja ta pomoże zapoznać się z pontonem i ułatwi ci właściwe się nim posługiwanie. Należy przechowywać tę instrukcję na pontonie w jakimś suchym miejscu. Sprzedając ponton powinieneś przekazać nowemu właścicielowi także tę instrukcję.

TWÓJ PONTON A ŚRODOWISKO

- Środowisko naturalne jest bardzo wrażliwe, dlatego używając pontonu należy o nie dbać.
- Należy unikać nadmiernego hałasu oraz oszczędnie gospodarować paliwem silnikowym.
- Ponton wytwarza fale i hałas, które mogą niekorzystnie wpłynąć na środowisko naturalne.
- Należy przestrzegać wszelkich przepisów dotyczących środków pływających obowiązujących na danym terenie.

ZASADY BEZPIECZEŃSTWA

- Uważnie przeczytaj instrukcję.
- Nie do użytkowania w warunkach morskich.
- Starannie zapoznaj się z instrukcją dołączoną do wybranego przez ciebie silnika.
- Osoba użytkująca ponton ma obowiązek znać przepisy dotyczące środków pływających i przestrzegać ich, szczególnie w kwestiach wyposażenia i obsługi.
- Przepisy i regulacje dotyczące środków pływających mogą się różnić i dotyczyć następujących kwestii:

- miejsca zakupu środka pływającego
- wymagań miejscowych władz
- sposobu używania środka pływającego
- pory dnia
- warunków używania
- rozmiaru, prędkości, trasy i rodzaju środka

- pływającego (jego mocy, wiosł itp.)
- metod nawigacyjnych

- Wszyscy znajdujący się na pokładzie pasażerowie muszą mieć odpowiednie ubrania oraz kamizelki ratunkowe.
- Należy się upewnić, czy na pontonie znajduje się standardowe wyposażenie (wiosła, pompka oraz zestaw naprawczy). Czasami konieczne jest posiadanie niestandardowego sprzętu ratowniczego.
- Osoba pod wpływem alkoholu lub innych środków odurzających nie może sterować pontonem.
- Nie wolno przekraczać maksymalnej ładowności pontonu oraz nie wolno stosować silnika o mocy większej niż dopuszczona dla danego rodzaju pontonu.
- Należy zwrócić szczególną uwagę na wiatr i prądy wodne, gdyż ich zmienność ma istotny wpływ na zużycie paliwa.
- Jeśli zamierzasz pływać po nieznannej wodzie, skonsultuj się wcześniej z osobami znającymi tę wodę, aby uniknąć możliwych niebezpieczeństw.
- Zawsze poinformuj kogoś na brzegu o czasie i miejscu wypłynięcia, twojej planowanej trasy oraz orientacyjnym czasie powrotu.
- Nie pływaj po ciemku lub w niebezpiecznych warunkach, jeśli odpowiednio nie oświetliłeś pontonu.
- Do napompowania pontonu nie wolno używać sprężonego powietrza. Zbyt mocne napompowanie może doprowadzić do rozerwania się szwów lub materiału.
- Weź pod uwagę maksymalną moc silnika dla danego pontonu! Zamontowanie mocniejszego silnika może spowodować zaburzenia w manewrowości oraz stabilności i wywołać groźne skutki.
- Należy wyposażyć silnik zaburtowy w wyłącznik bezpieczeństwa. Polega on na możliwości wyłączenia silnika przez proste pociągnięcie linki przymocowanej do wyłącznika.
- Należy stale sprawdzać, czy silnik jest dobrze przymocowany. Luźne śruby mogą sprawić, że

plywanie stanie się mało wygodne, a w najgorszym przypadku silnik może się nawet odzepić.

ZASADY PODCZAS PŁYWANIA

- Wszyscy pasażerowie muszą znajdować się wewnątrz pontonu i muszą mieć możliwość trzymania się jednego lub dwóch uchwytów. Nie wolno siadać na burtach.
- Silniki zaburtowe są niebezpieczne. Nieuważne posługiwanie się silnikiem może doprowadzić do poważnych zranień lub nawet śmierci. Nigdy nie montuj silnika, który nie jest dopasowany do danego pontonu. Pływaj daleko od kąpiących się ludzi i nie pozwól, aby dostali się w pobliże tyłu pontonu, jeśli silnik jest włączony.
- Unikaj gwałtownego przyspieszania, gdyż może to spowodować wypadnięcie pasażerów za burtę.
- Obciążenie w pontonie musi być równomierne. Jeśli ponton jest wyposażony w silnik, a ponton jest mocno obciążony, nie należy gwałtownie przyspieszać. Źle prowadzony ponton może być mało stabilny i mieć problem z manewrowością.
- Unikaj piaszczystych brzegów oraz pływaj, albo też zachowuj tam szczególną ostrożność.
- Jeśli jedna z burt zostanie rozdarta w trakcie płynięcia, przenieś ładunek na drugą stronę. Spróbuj zatkać otwór ręką lub jakimś materiałem i skieruj się jak najszybciej do brzegu.
- Nie wolno pozwalać dzieciom kierować pontonem bez kontroli dorosłych.
- Zawsze miej wiosła przymocowane do pontonu.

CUMOWANIE

- Podczas cumowania na plaży nie używaj silnika.
- Podczas zbliżania się do brzegu lub pomostu unikaj ostrych przedmiotów.
- Nie przeciągaj pontonu po skałach, piasku, kamieniach lub ostrych powierzchniach.
- Zawsze przenoś ponton.
- Pozostawiając ponton na słońcu przez dłuższy

czas, przykryj go.

- Jeśli zostawiasz ponton na plaży, pozostaw część pontonu w wodzie, aby go chłodziła, co zmniejszy ryzyko zwiększenia ciśnienia w komorach.
- Nie zalecamy holowania pontonu poprzez przywiązanie do przedniego pierścienia. Pierścień ten służy jedynie do cumowania i przywiązania kotwicy.

POMPKA NOŻNA

OSTRZEŻENIE:

- Do pompowania nie wolno używać sprężonego powietrza. Zbyt mocne napompowanie może uszkodzić szwy lub też rozerwać materiał.
- Do pompowania należy używać specjalnie zaprojektowanej pompki.
- Pompka nożna pozwala na pełne napompowanie pontonu. Aby rozpocząć pompowanie włóż przewód do wylotu w pompce. W celu bezpieczeństwa zalecamy zabieranie pompki ze sobą.
- Przed długą wyprawą należy napompować ponton na 24 godziny przed wyprawą, aby sprawdzić, czy wszystkie komory są szczelne.

UWAGA: Przed wejściem do pontonu zawsze sprawdzaj, czy ponton jest odpowiednio napompowany.

INSTRUKCJA MONTAŻU PONTONU Z PODŁOGĄ PANELOWĄ

1. Aby rozłożyć ponton, oczyść płaski obszar (upewnij się, że jest czysty i pozbawiony ostrych przedmiotów). Wyciągnij kadłub z pudełka i wyjmij go z torby. Rozwiń kadłub, aby leżał płasko.
2. Napompuj ponton do 90% za pomocą wysokociśnieniowej pompki nożnej. Rozpocznij pompowanie pontonu od części tubowej poprzez zawór bezpieczeństwa.

Uwaga: Nie używaj sprężarki powietrza. Uszkodzenie pontonu spowodowane nadmiernym napompowaniem za pomocą sprężarki powietrza nie podlega gwarancji.

3. Zamontuj drewnianą ławeczkę poprzez wsunięcie kołnierzy umieszczonych na jej spodzie w prowadnice, które znajdują się na burtach pontonu.
4. Dokończ pompowanie komór kadłuba do 100% lub ciśnienia 0.25 bar. Dla dodatkowego bezpieczeństwa główna tuba pontonu ma wbudowany zawór.
5. Zabezpiecz wiosła przypinając je do zaczepów na wiosła.

SPUSZCZANIE POWIETRZA

Zdejmij zatyczki zewnętrznych zaworów, aby odsonić plastikowe nóżki wewnątrz zaworów. Wciśnij nóżki, aby uwolnić powietrze i przekręć je, aby otworzyć zawory. Spuść powietrze z każdej komory do 50-75. Wyjmij i złóż podłogę.

Uwaga: Nie spuszczać powietrza z jednej komory do końca, jeśli pozostałe są jeszcze w pełni napompowane. Może to doprowadzić do uszkodzenia komór.

UŻYWANIE I PRZECHOWYWANIE

- Przed spakowaniem usuń z pontonu wszelki brud i piasek i poczekaj aż ponton całkowicie wyschnie. Większość brudu można usunąć za pomocą węża ogrodowego, gąbki i łagodnego mydła. Nie używaj silnych detergentów.
- Nigdy nie używaj środków czyszczących i polerujących zawierających alkohol. Ich stosowanie znacząco wpływa na starzenie się materiału.
- Przechowuj ponton w suchym i czystym miejscu. Nie przechowuj go w ekstremalnych temperaturach (tzn. powyżej 65C i poniżej -12C).
- Jeśli zamierzasz przez dłuższy czas przechowywać ponton złożony w pokrowcu, upewnij się czy jest on całkowicie suchy. Nie pokrywaj go talkiem lub innymi podobnymi proszkami.
- Ponton można przechowywać zarówno na pompowany jak i złożony.
- Jeśli przechowuje się go na zewnątrz, to warto umieścić go nad podłożem.
- Jeśli ponton jest narażony na działanie słońca

lub też mogą na niego spadać liście, owoce lub deszcz, to należy go przykryć plandeką.

- Nie zaleca się wieszania pontonu.
- Jeśli pozostawisz swój ponton na wodzie, to czasami należy wylać z niego wodę deszczową. Jeśli zaś przechowujesz go w szafie, piwnicy lub garażu, to należy go trzymać w zimnym, suchym miejscu. Przed złożeniem należy się upewnić, czy ponton jest czysty i suchy.
- Nigdy nie przechowuj w pomieszczeniach pontonu z silnikiem z wlanym paliwem, gdyż opary paliwa mogą się zapalić.

Problemy

1. Nieszczelność

Po 2 lub 3 dniach możliwe jest niewielkie obniżenie ciśnienia wywołane zmianą temperatury. W takim przypadku należy dopompować nieco każdą z komór. Jeśli obniżenie ciśnienia nie jest wywołane niższą temperaturą, należy sprawdzić, czy ponton nie ma przebić. Sprawdzenie rozpoczynamy od zaworów. Najlepszym narzędziem do sprawdzania szczelności jest butelka z atomizerem napełniona wodą z mydłem. Nieszczelność zaworu zdarza się rzadko, ale kiedy się zdarzy, wyślemy ci zapasowy zawór. Do butelki z atomizerem wlewamy mieszkankę wody z mydłem i psikamy wokół zaworu. Jeśli pojawią się pęcherzyki powietrza, sprawdzamy zamocowanie zaworu i upewniamy się, czy wkład zaworu jest mocno przykręcony. Jeśli nadal pojawiają się problemy, wtedy należy zamówić nowy zawór. Wymianę zaworu można zrobić za pomocą prostego narzędzia dostarczanego wraz z nowym zaworem.

2. Lokalizacja przebić

Jeśli ponton traci powietrze, a wszystkie zawory są sprawne, oznacza to, że nastąpiło niewielkie przebicie. Małe przebicia można łatwo naprawić. Psikamy wodą z mydłem wewnątrz i na zewnątrz kadłuba i sprawdzamy, gdzie pojawiają się pęcherzyki powietrza. Jeśli nie udało nam się zlokalizować w ten sposób przebicia, należy

napompować ponton do pełna i nasłuchiwać wydostającego się powietrza. Jeśli namierzemy obszar, w którym pojawia się charakterystyczny dźwięk, szukamy źródła psikając wodą z mydłem. Małe naprawy. Przebicia mniejsze niż 3 mm można łatwo naprawić bez stosowania łat. Spuść powietrze z pontonu, oczyść i wysusz naprawiane miejsce. Nałóż małą porcję kleju na otwór i poczekaj 12 godzin aż klej wyschnie. Jeśli nie możesz czekać tak długo, to poczekaj 30 minut i napełnij ponton, a komorę, w której wystąpiło przebicie napełnij do $\frac{3}{4}$. Naprawa ta może nie być wystarczająca, więc później nałóż jeszcze nieco kleju.

3. Przetarcia i przedarcia

Standardowym wyposażeniem pontonów jest zestaw naprawczy. Jeśli zestaw naprawczy został już wykorzystany, można go zawsze zamówić u dostawcy. Należy odciąć taki kawałek materiału, aby był większy od uszkodzenia o około 12 mm i nie miał ostrych krawędzi. Nałóż klej na spodnią część łatki oraz na naprawiany obszar na pontonie. Zbyt duża ilość kleju utrudni właściwą naprawę. Odczekaj około 2-4 minuty, aż klej odpowiednio odparuje, a następnie umieść łatkę na naprawiane miejsce. Następnie dociśnij łatkę siłą około 1,5 – 2 kg i pozostaw na 12 godzin. Po wyschnięciu nałóż klej na brzegach łatki, aby całkowicie uszczelnić uszkodzenie (czas schnięcia – 4 godziny).

4. Duże i trudne naprawy

Jeśli konieczna jest jednak poważna naprawa, skontaktuj się z biurem serwisowym, gdzie uzyskasz poradę, jak najlepiej naprawić twój ponton.

5. Jeśli woda dostaje się do pontonu, sprawdź w kolejności:

- Czy otwarty jest zawór osuszania?
- Czy membrana w zaworze osuszania działa poprawnie?
- Czy ostatnio padało?
- Czy podłoga nie jest dziurawa?

Karta rejestracji gwarancji

Możesz zarejestrować gwarancję tego produktu online na stronie internetowej firmy Fox - www.foxint.com. Aby rozpocząć proces rejestracji, zaloguj się lub załóż konto. Aby dokonać rejestracji konieczne jest posiadanie kodu produktu oraz informacji o dacie i miejscu zakupu. Po rejestracji otrzymasz kod klienta, który pozwoli śledzić szczegóły gwarancji poprzez konto na stronie firmy Fox.

Gwarancja nie obejmuje następujących sytuacji:

- Nadmierne napompowanie tub pontonu powyżej 0.25bar/3.63psi
- Utrata powietrza wynikająca z różnic temperatury
- Utrata powietrza przez zawory przy wysokich temperaturach
- Ślady zgięć. Jest to zjawisko normalne i ślady znikną w trakcie użytkowania.
- Pozostałości kleju. Wszystkie pontony Foxa są wykonywane ręcznie i sporadycznie mogą być widoczne ślady klejenia.
- Drobne niedoskonałości klejonych części, które nie wpływają na użytkowanie pontonu.
- Powolna utrata powietrza w ciągu 48 godzin (do 20% utraty powietrza w porównaniu z ciśnieniem użytkowym).
- Uszkodzenie spowodowane dowolnym rodzajem rozpuszczalnika.
- Uszkodzenie spowodowane kwasem z akumulatorów, ropą lub paliwem.
- Uszkodzenie spowodowane zmywaczem do paznokci, kremem lub oliwą do opalania.
- Uszkodzenie spowodowane środkiem przeciwko owadom.
- Uszkodzenie spowodowane niewłaściwym użytkowaniem.
- Uszkodzenie spowodowane czyszczeniem pod wysokim ciśnieniem.
- Uszkodzenie spowodowane użyciem agresywnych środków czyszczących.
- Uszkodzenie spowodowane niewłaściwym składaniem lub rozkładaniem pontonu.

- Uszkodzenie spowodowane niewłaściwym przechowywaniem, słabą wentylacją.
- Uszkodzenie spowodowane niewłaściwym czyszczeniem i obsługą pontonu.
- Uszkodzenie spowodowane w transporcie.
- Uszkodzenie spowodowane użyciem sprzężarek powietrza do pompowania pontonu lub spuszczenia z niego powietrza.
- Uszkodzenie spowodowane zwykłym zużyciem lub przetarciem.
- Uszkodzenie spowodowane użyciem siły.
- Uszkodzenie spowodowane przez zwierzęta.
- Uszkodzenie spowodowane przez wodę wewnątrz tuby pontonu.
- Uszkodzenie kadłuba w wyniku lekkomyślności lub też wpływu czynników zewnętrznych.
- Uszkodzenie spowodowane udziałem w wyścigach dowolnego rodzaju.
- Uszkodzenie spowodowane użyciem nieodpowiednich akcesoriów.
- Uszkodzenie spowodowane przekroczeniem maksymalnej dopuszczalnej mocy silnika oraz jego wagi.
- Uszkodzenie spowodowane przekroczeniem dopuszczalnej ładowności i zalecanej liczby ludzi.

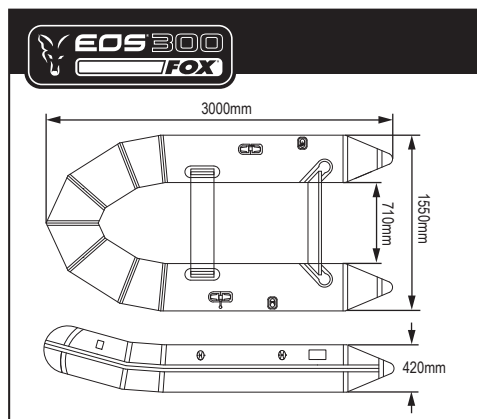
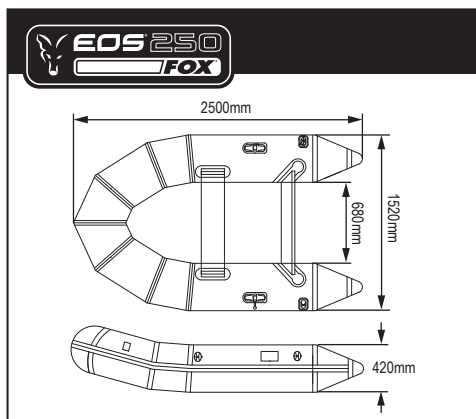
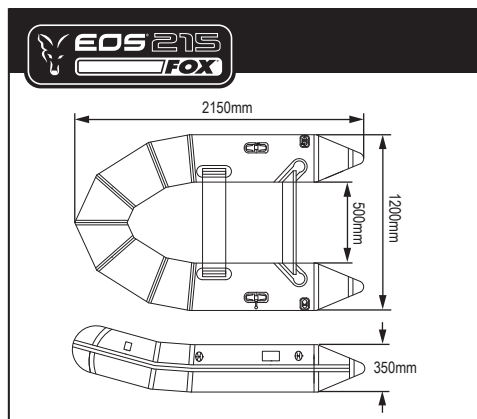
*Twoje prawa ustawowe pozostają nienaruszone.

W przypadku pojawienia się problemów, które są objęte gwarancją, należy postępować w sposób następujący:

1. Skontaktować się z miejscem zakupu pontonu i wyjaśnić problem.
2. Sklep wysłał do firmy Fox zdjęcie z wyjaśnieniem problemu oraz dowodem zakupu.
3. Firma Fox potwierdza, czy problem podlega warunkom gwarancji.
4. Po potwierdzeniu, sklep wysłał zlecenie odbioru przesyłki do firmy Fox, a firma organizuje transport pontonu.
5. Następuje sprawdzenie pontonu, a następnie jego naprawa lub wymiana.

SPECYFIKACJA PONTONÓW

Model	Podłoga	Długość (cm)	Szerokość (cm)	Komory	Burty (cm)	Osoby	Maksymalna ładowność (kg)	Moc silnika (hp)
Fox EOS 215 Green	Słat	215	120	3	35	1	200	2.95
Fox EOS 250 Green	Słat	250	152	3	42	2	260	6.7
Fox EOS 300 Green	Słat	300	155	3	42	4	416	9.5



DEKLARACJA ZGODNOŚCI

Fox International Group Ltd niniejszym oświadcza, że pontony Fox EOS (CIB036 i CIB037) są zgodne z Dyrektywą Parlamentu Europejskiego i Rady 2013/53/EU w sprawie rekreacyjnych jednostek pływających i skuterów wodnych oraz z przepisami (UK) Recreational Craft Regulations 2017.

Deklarację zgodności można znaleźć pod następującym adresem:
<https://www.foxint.com/pl/wsparcie/dokumenty-regulaminowe/>

www.foxint.com

eurocustomerservices@ratheroutdoors.com

INFORMÁCIE O VAŠEJ LODI

Ďakujeme, že ste si zakúpili loď. Ak sa o ňu budete správne starať, bude vám prinášať radosť mnoho rokov. Tieto lode sa dajú nafúknuť a zmontovať za 30 minút. Dajú sa premiestniť z auta na vodu bez potreby vozíka a sú ideálne na rybárske výlety. Tento sprievodca by vám mal pomôcť spoznať čln, jeho vlastnosti a udržať ho v dobrej kondícii po dlhý čas. Príručku uchovávajte v člne na suchom mieste. Ak čln predávate, vždy poskytnite novému majiteľovi túto príručku.

LOĎ A ŽIVOTNÉ PROSTREDIE

- Šetrite životné prostredie, preto používajte loď s úctou k nemu.
- Vyhýbajte sa nadmernému hluku a výparom z motorov.
- Vaša loď produkuje vlny a hluk, ktoré sú škodlivé pre životné prostredie.
- Rešpektujte miestne zákony a predpisy týkajúce sa lodnej dopravy

BEZPEČNOSTNÉ POKYNY

- Správne si prečítajte pokyny
- Nepoužívajte na mori.
- Zariadenie FOX160 nepoužívajte s akýmkoľvek druhom motora. Zadné zrkadlo slúži len na upevnenie držiaka echolotu.
- Pozorne si prečítajte návod na použitie vášho motora, aby ste zistili, či sa môže používať v kombinácii s týmto člnom
- Používateľ je zodpovedný za používanie člna v súlade so zákonmi a predpismi danej krajiny, napríklad za to, aby mal všetko vybavenie potrebné na prevádzku člna.
- Platné zákony a predpisy môžu byť upravené nasledujúcimi faktormi:
 - miesto, kde sa loď prevádzkuje
 - predpisy miestnych orgánov a úradov
 - spôsob a čas používania lode
 - prevádzkové podmienky
 - veľkosť, rýchlosť, dráha, typ lode (s motorom, veslami atď.)
 - spôsob plavby
 - Každý na lodi musí byť vhodne oblečený a

mať na sebe záchrannú vestu.

- Vždy sa uistite, že je v člne všetko potrebné vybavenie (veslá, pumpa a súprava na opravu člna). Niekedy sú potrebné aj ďalšie voliteľné pomôcky na prežitie.
- Osoby pod vplyvom drog alebo v podnapitom stave nie sú oprávnené riadiť čln.
- Nikdy neprekráčajte limity hmotnosti nákladu a výkonu motora, ktoré sú uvedené na štítku člna.
- Osobitnú pozornosť venujte aj vetru a prílivu, pretože majú vplyv na spotrebu paliva.
- Ak sa chystáte vyplávať do neznámych vôd, vždy sa poraďte s niekým, kto tieto vody pozná. Obmedzte tak prípadné nebezpečenstvá.
- Predtým, ako sa vydáte na vodu, vždy niekomu na pevnine oznámte čas a miesto odchodu, plán plavby a približný čas návratu.
- Neplávajte za tmy alebo nepriaznivých poveternostných podmienok, pokiaľ nemáte na lodi nainštalované bezpečnostné svetlá.
- Na nafúknutie lode nepoužívajte stlačený vzduch vo fľaši. Mohlo by to spôsobiť pretlakovanie, čo by malo za následok prasknutie vo švíkoch alebo na stene člna.
- Rešpektujte maximálny uvedený výkon motora, ktorý sa môže na člne používať! Príliš silný motor môže spôsobiť horšiu ovládateľnosť a stabilitu lode s nebezpečnými následkami.
- Motor vybavte bezpečnostným odkladacím káblom, ktorý odpojí motor v prípade pádu alebo z iného dôvodu. Odpojením sa vypne.
- Pravidelne kontrolujte, či je motor správne upevnený a skrutky dotiahnuté. Ich uvoľnenie môže viesť k neovládateľnosti lode a následnej strate motora.

UPOZORNENIE PRED JAZDOU

- Všetci cestujúci musia sedieť vo vnútri lode a musia sa vedieť držať jedného alebo dvoch madiel. Nikdy nesedzte na valci.
- Motory sú veľmi nebezpečné. Hrubé a neodborné zaobchádzanie s týmito motormi môže viesť k vážnemu zraneniu alebo smrti. Nikdy nepoužívajte motor, ktorý nie je v dobrom technickom stave. Držte sa ďalej od plavcov a nikdy nemajte plavcov v blízkosti zadnej časti lode s motorom.
- Nikdy prudko nezrýchľujte. Mohlo by to viesť k pádu cestujúcich do vody.
- Hmotnosť v člne musí byť rovnomerne rozložená. Nikdy prudko nezrýchľujte, keď používate motor a čln nie je dostatočne zaťažený. Mohlo by to spôsobiť problémy so stabilitou a ovládateľnosťou člna.
- Vyhýbajte sa piesočnatým plážam a plytkým vodám, a ak to nie je možné, buďte v týchto oblastiach mimoriadne opatrní.
- Ak počas plavby prepichnete jeden plavák, presuňte náklad na opačnú stranu. Snažte sa obmedziť únik vzduchu z prepichnetého miesta rukou alebo popruhom a pokúste sa okamžite dostať na najbližšiu pevninu.
- Nikdy nedovoľte deťom riadiť čln bez dozoru dospelaj osoby.
- Vždy riadne upevnite veslá.

PRIPLÁVANIE

- Pri vystupovaní nepoužívajte motor.
- Pri návrate do prístavu sa vyhýbajte ostrým predmetom.
- Neťahajte loď po skalách, piesku, asfalte alebo iných povrchoch, ktoré by mohli loď poškodiť.
- Čln vždy prenášajte.
- Ak ponechávate čln na vode na priamom slnečnom svetle dlhší čas, vždy ho zakryte.
- Ak nechávate čln na pláži, vždy nechajte časť člna vo vode, aby voda ochladila čln a nepretlačila plaváky.
- Neodporúča sa ťahať čln za predný prsteneč. Ten slúži len na ukotvenie alebo priviazanie člna

NAFUKOVANIE UPOZORNENIE:

- Na nafúknutie lode nepoužívajte stlačený vzduch vo fľaši. Mohlo by to mať za následok nadmerné natlakovanie, a tým prasknutie vo švíkoch alebo na stene člna. Na nafúknutie použite špeciálne automatické alebo nožové pumpy.
- Nožné čerpadlo dostatočne nafúkne tento čln. Ak chcete čln nafúknuť, zasunite hadicu do otvoru na pumpe. Odporúča sa mať pri sebe z bezpečnostných dôvodov v člne nožnú pumpu.
- Pred dlhou plavbou odporúčame čln nafúknuť 24 hodín vopred, aby ste zistili, či nie je niekde netesnosť a či je v v úplnom poriadku.

POZOR:

Pred nalodením vždy skontrolujte, či je loď správne nafúknutá.

NÁVOD NA MONTÁŽ ČLNA S LAMELOVOU PODLAHOU

1. Je potrebné nájsť rovný terén bez ostrých predmetov, ktoré by mohli čln poškodiť. Vyberte trup z krabice a rozložte ho na rovnú zem.
2. Nafúknite čln vysokotlakovou nožnou pumpou na 90 % objemu člna. Začnite čln nafukovať od valcov s pretlakovými bezpečnostnými ventilmi

POZNÁMKA:

Nepoužívajte vzduchový kompresor. Poškodenie lode spôsobené nadmerným nafúknutím použitím vzduchového kompresora nie je kryté zárukou.

3. Namontujte drevené sedadlo pomocou prírub na spodnej časti sedla, ktoré sú umiestnené na koľajniciach, ktoré sa nachádzajú na bokoch lode.
4. Dokončite nafúknutie všetkých komôr na 100 % objemu alebo tlak 0,25 bar. Hlavná časť člna má zabudovaný tlakový ventil na zvýšenie bezpečnosti.
5. Upevnite veslá ich pripavením k držiakom na oboch valcoch.

VYFUKOVANIE

Odskrutkujte vonkajšie krytky ventilov. Stláčajte ventil, kým nezačne unikať vzduch, a mierne otáčajte ventilom. Tým ho zaistíte a vzduch bude samovoľne unikať bez toho, aby ste museli tlačiť na ventil. Na začiatku vyfúknete všetky komory na 50 - 70 %. Odstráňte z člnu podlážku. Teraz môžete komory úplne vyprázdniť. Poznámka: Nikdy úplne nevypúšťajte jednu komoru, ak sú ostatné úplne nafúknuté. Môže to spôsobiť zničenie prepážky medzi komorami.

Poznámka: Nikdy úplne nevypúšťajte jednu komoru, ak sú ostatné úplne nafúknuté. Môže to spôsobiť zničenie prepážky medzi komorami.

ÚDRŽBA A SKLADOVANIE

- Pred zložením člna na uskladnenie riadne vyčistíte všetky jeho časti a vysušte ho. Väčšinu nečistôt možno odstrániť opláchnutím záhradnou hadicou, kefou a jemným mydlom. Nepoužívajte agresívne čistiace prostriedky.
- Na čistenie člna nikdy nepoužívajte čistiace prostriedky obsahujúce alkohol. Môže to viesť k predčasnemu vysušeniu a zničeniu materiálu plaváka.
- Skladujte na čistom a suchom mieste. Neskladujte pri extrémnych teplotách nad 65 stupňov Celzia a pod mínus 23 stupňov. Celzia.
- Ak budete čln skladovať dlhší čas, uistite sa, že je riadne vysušený a zbavený nečistôt.
- Čln môžete skladovať vyfúknutý aj nafúknutý.
- Ak ho skladujete vonku, odporúčame, aby ste ho nenechávali na zemi, ale zdvihli ho zo zeme.
- Ak bude čln uskladnený na priamom slnku, pod stromami alebo kríkmi, odporúčame čln zakryť plachtou.
- Neodporúčame čln zavesiť.
- Ak budete čln skladovať na vode, zabezpečte odtok dažďovej vody. Ak budete čln skladovať v skrini, pivnici alebo garáži, odporúčame vybrať chladné a suché miesto a zabezpečiť, aby bol čln čistý a suchý. V opačnom prípade môže dôjsť k tvorbe plesní a húb.
- Nikdy neskladujte čln spolu s kanistrom na palivo na mieste, kde by sa mohli vznietiť

výpary paliva v dôsledku plameňa, iskiev alebo vysokej teploty.

RIEŠENIE PROBLÉMOV

1. Únik vzduchu

Po dvoch až troch dňoch môže dôjsť k malému poklesu tlaku v dôsledku zmien teploty. Ak k tomu dôjde, mierne nafúknite všetky komory. Ak dôjde k poklesu tlaku v lodi a vonkajšia teplota sa neochladila, skontrolujte, či v lodi či nedochádza k úniku vzduchu. Začnite s ventilmi. Netesniaci ventil lode nie je bežný, ale ak sa to stane, pošleme vám nový ventil. Najlepšie sa na to hodí postrek mydlovou vodou. vo fľaši, ktorú možno natlakovať a použiť ako rozprašovač. Nastriekajte mydlovú vodu okolo ventilu. Ak potom uvidíte, že sa okolo ventilu tvoria bublinky, najprv sa uistite, že je ventil v správnej polohe a správne utiahnutý. Ak je to správne, a napriek tomu dochádza k tvorbe bublinek, tak je čas na výmenu ventilu. Výmena ventilu je jednoduchá záležitosť a dá sa vykonať v priebehu niekoľkých minút pomocou nástroja, ktorý od nás dostanete spolu s novým ventilom.

2. Vyhľadávanie dier

Ak loď stráca vzduch a všetky ventily fungujú, pravdepodobne máte niekde malú dieru. Malé otvory možno veľmi ľahko zaplátať. Postupne nastriekajte mydlovú vodu na vnútornú a vonkajšiu stranu trupu, kým neuvidíte dieru, t. j. oblasť s bublinkami. Ak nemôžete nájsť dieru pomocou mydlovej vody a bublinek, nafúknite loď čo najviac nafúknite a počúvajte, či nedochádza k úniku vzduchu. To vám pomôže nájsť približné miesto úniku vzduchu a pomocou mydlovej vody v spreji môžete ľahko určiť miesto úniku. Malé opravy. Diery menšie ako 3 mm sa dajú ľahko opraviť bez pomoci záplat. Vyfúknete loď a potom vyčistíte a vysušte miesto úniku vzduchu, ktoré chcete opraviť. Na dieru naneste len malé množstvo lepidla a nechajte ho 12 hodín schnúť. Ak potrebujete vyraziť na vodu skôr, nechajte suché aspoň 30 minút a potom opravovanú časť nafúknite len do ¾. Táto oprava nie je trvalá, takže neskôr opravte postihnuté miesto znova a natrvalo.

3. Trhliny

Vaša loď sa dodáva so súpravou na opravu lodí. Ak ju ešte nemáte, môžete si ju ľahko zakúpiť alebo objednať u svojho predajcu. Odrežte dostatok materiálu na opätovné prilepenie poškodenej časti člna, približne 12 mm, a prilepte ho na prepichnuté miesto. Použite na to naše lepidlo, ktoré sa dodáva s loďou. Príliš veľké množstvo lepidla je skôr na škodu. Aplikujte lepidlo na záplatu a nechajte ho pôsobiť 2-4 minúty. Potom ju prilepte na postihnuté miesto. Nechajte na ňom záťaž približne 1,5-3 kg na náplast'. Keď je náplast' suchá, naneste lepidlo okolo náplasti (bude suchá do 4 hodín).

4. Veľké a náročné opravy

Ak máte ťažkosti s opravou alebo potrebujete veľkú opravu, obráťte sa na naše oddelenie služieb zákazníkom a my vám poradíme, ako najlepšie opraviť vašu loď.

5 . Ak vidíte, že do lode vniká voda, pozrite sa, či :

- Je vypúšťací ventil otvorený?
- Funguje membrána vypúšťacieho ventilu správne?
- Prší nepretržite?
- Je na dne lode diera?

Warranty Registration

Záruku na tento výrobok môžete zaregistrovať online na webovej stránke spoločnosti Fox - www.foxint.com. Prihláste sa alebo si vytvorte účet a začinite proces registrácie. Na dokončenie registrácie budete potrebovať kód výrobku, dátum nákupu a miesto nákupu. Po registrácii si poznačte referenčný kód zákazníka a pozrite si podrobnosti o záruke prostredníctvom svojho osobného konta Fox.

Záruka sa nevzťahuje na nasledujúce

poškodenia:

- Nadmerné nafúknutie komory väčšie ako 0,25 bar / 3,63psi
- Nadmerné nafúknutie nafukovacej podlahy väčšie ako 1,00bar/14,5psi
- Strata vzduchu spôsobená zmenou vonkajšej teploty
- Strata vzduchu cez ventily v horúcom počasí

- Príznačky zloženého člna. Tieto znaky počas používania zmiznú.
- Zvyšky lepidla. Všetky člny Fox sú vyrábané ručne a občas môžu byť viditeľné zvyšky lepidla.
- Malé nedokonalosti na lepených častiach, ktoré nemajú vplyv na použiteľnosť.
- Strata vzduchu do 48 hodín (až 20 % kapacity vzduchu v porovnaní s prevádzkovým tlakom).
- Poškodenie spôsobené použitím rozpúšťadiel akéhokoľvek druhu.
- Poškodenie spôsobené kyselinou, olejom a palivom.
- Poškodenie spôsobené lakom na nechty, opaľovacím krémom/olejom.
- Poškodenie spôsobené repelentmi proti hmyzu.
- Poškodenie spôsobené nesprávnym používaním.
- Poškodenie spôsobené vysokotlakovým čistením.
- Poškodenie spôsobené používaním agre sívnych čistiacich prostriedkov
- Poškodenie spôsobené nesprávnou montážou a demontážou lode
- Poškodenie spôsobené zlým skladovaním, zlým vetraním.
- Poškodenie spôsobené nevhodným čistením a údržbou
- Poškodenie spôsobené počas prepravy.
- Poškodenie spôsobené používaním tlakových kompresorov na nafúknutie alebo vyfúknutie člna.
- Poškodenie spôsobené bežným opotrebovaním.
- Poškodenie spôsobené použitím nadmernej sily.
- Poškodenie spôsobené zvieratami v člne alebo mimo neho.
- Poškodenie spôsobené vodou vo vnútri komôr.
- Poškodenie konštrukcie spôsobené nedbalosťou a vonkajšími vplyvmi.
- Poškodenie spôsobené účasťou na pretekoch a kýchokolek druhu.
- Poškodenie spôsobené používaním neschváleného príslušenstva.
- Poškodenie spôsobené prekročením maximálnej povolenej hodnoty KW /HP a povolenej hmotnosti motora.
- Škody spôsobené prekročením prípustného užitočného zaťaženia a odporúčaného počtu osôb.

* Vaše zákonné práva zostávajú nedotknuté.

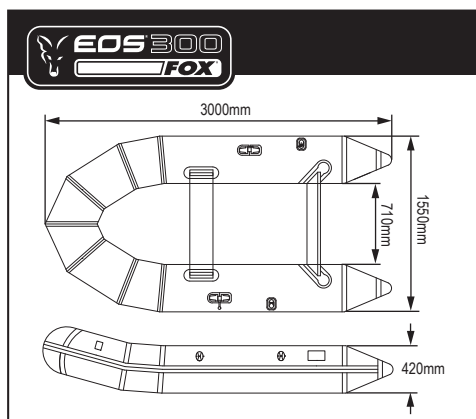
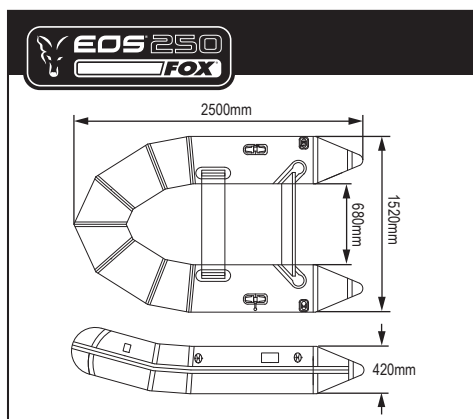
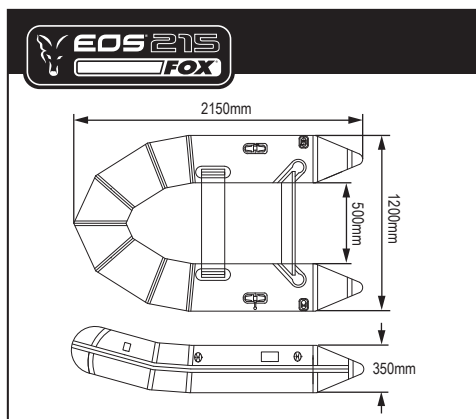
*Vaše zákonné práva zostávajú nedotknuté.

Ak máte s člnom problém ktorý pokrýva záruka , postupujte nasledovne:

1. kontaktujte svojho predajcu a vysvetlite problém.
2. predajca bude musieť poslať do Foxu fotografiu s popisom problému zároveň aj s dokladom o kúpe.
3. potvrdíme či sa na daný problém vzťahuje záruka.
4. v prípade že sa na problém záruka vzťahuje, obchodník zariadi zvoz reklamovanej lode.
5. loď dôkladne prezrieme a vykonáme nápravu.

ŠPECIFIKÁCIE

Typ	Podlaha	Dĺžka (cm)	Šírka (cm)	Komory	Priemer vĺce (cm)	Počet osôb	Max náklad (kg)	Výkon motora (hp)
Fox EOS 215 Green	Slat	215	120	3	35	1	200	2.95
Fox EOS 250 Green	Slat	250	152	3	42	2	260	6.7
Fox EOS 300 Green	Slat	300	155	3	42	4	416	9.5



PREHLÁSENIE O ZHODE

Fox International Group Ltd. Týmto prehlasuje , že člny Fox EOS Boats (CIB 036 a CIB 037) sú v súlade so smernicou Európskeho parlamentu a rady o rekreačných plavidlách a vodných skútroch 2013/53/EU a nariadeniach o Rekreačných plavidlách Spojeného kráľovstva 2017 Prehlásenie o zhode je na stiahnutie na nasledujúcej adrese :

<https://www.foxint.com/home/support/declarations-of-conformity/>

www.foxint.com

eurocustomerservices@ratheroutdoors.com

DESPRE BARCA DVS. FOX

Vă mulțumim pentru achiziționarea unei bărci Fox! Cu întreținere corespunzătoare, suntem convinși că barca noastră vă va fi un partener de nădejde pe parcursul multor ani de aventuri la pescuit. Bărcile noastre pot fi umflate și montate complet în aproximativ 30 de minute, eliminând nevoia de a achiziționa o (semi)remorcă / platformă și îmbunătățind așadar substanțial partidele de pescuit. Acest manual a fost gândit pentru a vă oferi toate detaliile tehnice privind montarea și îngrijirea corespunzătoare a bărcii Dvs. Păstrați manualul în barcă, ferit de umezeală. În cazul care decideți să vindeți barca, oferiți cumpărătorului și acest manual.

BARCA DVS. ȘI MEDIUL ÎNCONJURĂTOR

- Mediul înconjurător este într-un echilibru fragil așa că vă rugăm să folosiți barca respectând întotdeauna natura.
- Evitați poluarea fonică și reduceți pe cât posibil emisiile motoarelor.
- Barca Dvs. produce valuri și zgomot ce pot dăuna mediului înconjurător.
- Respectați întotdeauna legislația în vigoare privind folosirea bărcilor.

INSTRUCȚIUNI DE SIGURANȚĂ

- Citiți cu atenție instrucțiunile din acest manual
- Barca Fox EOS nu trebuie folosită pe mare / ocean
- Citiți cu atenție manualul de instrucțiuni al motorului pentru barcă, în cazul în care intenționați să folosiți unul.
- Utilizatorul bărcii este complet responsabil de cunoașterea și aplicarea legilor corespunzătoare privind folosirea și echiparea bărcii.
- Legile în vigoare privind folosirea bărcii pot varia în funcție de următorii factori:
 - Locația în care barca este pusă în funcțiune
 - Cerințele impuse de autoritățile locale
 - Tipul de folosire a bărcii
 - Momentul zilei
 - Condițiile de funcționare
 - Mărimea, viteza de funcționare, ruta și tipul de barcă folosit (putere, vâsle etc.)
 - Modul de navigare

- Toți pasagerii trebuie să dețină haine adecvate și să poarte în mod obligatoriu vesta de salvare
- Asigurați-vă că accesoriile standard ale bărcii sunt prezente tot timpul la bord (vâsle, pompă și kit de reparații). Dincolo de aceste elemente obligatorii, echipamentele specializate de supraviețuire pot fi uneori necesare și ele.
- Persoanele sub influența alcoolului sau a substanțelor halucinogene nu îndeplinesc condițiile suficiente de pilotare a bărcii.
- Nu depășiți sarcina maximă a bărcii și puterea maximă a motorului indicate de producător pe plăcuța de motor a bărcii.
- Acordați atenție sporită vântului și curenților, întrucât fluctuația lor poate influența simțitor consumul de combustibil / baterie.
- În cazul în care intenționați să navigați pe ape pe care nu le cunoașteți, vă recomandăm să consultați persoane care cunosc zona și vă pot informa cu privire la eventualele obstacole.
- Transmiteți întotdeauna cuiva de pe mal timpul și punctul de plecare, ruta și durata estimată a călătoriei.
- Nu navigați pe întuneric sau în condiții periculoase fără să fi instalat echipamente de iluminat adecvate.
- Nu folosiți surse de aer comprimat pentru a umfla barca. Supra-umflarea poate conduce la desfacerea cusăturilor sau chiar la ruperea pereților.
- Alegerea dintre vâsle și diverse tipuri de motoare depinde exclusiv de condițiile de navigare. Asigurați-vă întotdeauna că alegeți un mod de propulsie suficient de puternic pentru a face față curenților, vântului și diverselor obstacole submerse.
- Respectați întotdeauna limita maximă de putere! Un motor prea puternic poate genera probleme de manevrabilitate și stabilitate cu consecințe potențial grave.
- Echipați întotdeauna motorul cu un sistem de oprire forțată. Acest sistem va asigura oprirea completă a motorului indiferent de motivul ales de utilizator.
- Verificați constant prinderea motorului. Șuruburile slăbite pot face barca imposibil de controlat sau pot duce chiar la desprinderea motorului!

AVERTISMENTE DE NAVIGAȚIE

- Toți pasagerii trebuie să se așeze la interiorul bărcii într-o poziție ce permite ținerea cu una sau doua mâini de mânerele dedicate. Nu vă așezați niciodată pe balon.
- Motoarele pentru bărci sunt echipamente periculoase. Manipularea brutală a mecanismelor sensibile poate duce la răni grave sau deces. Nu folosiți niciodată barca împreună cu un motor pentru care nu este adaptată. Evitați întotdeauna înotătorii și nu le permiteți să se apropie de partea din spate a bărcii în timp ce motorul este pornit.
- Evitați accelerările bruște întrucât pot arunca pasagerii din barcă
- Greutatea trebuie distribuită cât mai uniform. Nu accelerați brusc în cazul în care folosiți un motor iar barca nu este foarte încărcată. O barcă controlată greșit poate duce la probleme grave de stabilitate.
- Evitați dunele de nisip și adâncimile mici sau apropiați-vă cu precauție maximă dacă situația o impune.
- În cazul în care un balon este fisurat, mutați imediat greutatea pe partea cealaltă a bărcii. Încercați să obturați fisura cu ajutorul mâinilor sau al unei benzi și îndreptați-vă urgent către cel mai apropiat mal.
- Nu lăsați copiii nesupravegheați să opereze barca.
- Țineți întotdeauna vâslele în barcă, fixate excelent în lăcașul dedicat.

ANDOCARE

- Nu folosiți motorul la andocarea bărcii pe plajă.
- Evitați obstacolele contondente la apropierea de ponton sau de mal.
- Nu trageți barca peste pietre, nisip, șindrila sau suprafețe gudronate.
- Acoperiți complet barca dacă intenționați să o lăsați în soare pentru un timp îndelungat (pe apă sau pe mal)
- În cazul în care lăsați barca pe plajă pentru un timp îndelungat, așezați-o cu o parte în apă pentru răcire și pentru evitarea supra-presiunii.
- Nu recomandăm tractarea bărcii folosind inelul frontal, scopul acestuia fiind exclusiv pentru legare (andocare sau ancorare).

AVERTISMENTE UMFLARE:

- Nu folosiți surse de aer comprimat pentru a umfla barca. Supra-umflarea poate conduce la desfacerea cusăturilor sau chiar la ruperea pereților.
- Folosiți pompa de picior din pachet menită special pentru umflarea bărcii.
- Pompa de picior oferă suficientă presiune pentru a umfla complet barca. Pentru a umfla barca, introduceți furtunul în fanta de debit a pompei (Outlet). Recomandăm să aveți mereu pompa la bord din motive de siguranță.
- Înainte de orice călătorie îndelungată, umflați barca cu minimum 24h înainte pentru a vă asigura că toate camerele sunt complet etanșe.

AVERTISMENT:

Înainte de a vă urca în barca, asigurați-vă întotdeauna că a fost umflată corespunzător.

ASAMBLAREA BĂRCII CU PODINA DIN ȘIPCI INSTRUCȚIUNI

1. Pregătiți un spațiu plat (eliberat de resturi și obiecte contondente) pentru a desface barca. Scoateți corpul bărcii din cutia de livrare și apoi din husa de transport. Desfășurați corpul bărcii astfel încât să fie întins perfect plat.
2. Folosiți pompa de picior pentru a umfla barca la capacitate de 90%. Începeți procesul de umflare de la tubul prevăzut cu valvă de supra-presiune.

ATENȚIE: Nu folosiți un compresor pentru a umfla barca. Daunele provocate de supra-umflarea generată de compresor nu sunt acoperite de garanție.

3. Instalați bancheta glisând flanșele de pe partea inferioară a scândurii pe șinele situate pe lateralele interioare ale baloanelor.
4. Continuați să umflați barca până la capacitate 100%, la presiune de 0.25bar. Barca a fost proiectată cu valvă pentru supra-presiune ca metoda adițională de siguranță.
5. Fixați vâslele cu ajutorul clipsurilor dedicate.

DEZUMFLARE

Scoateți capacele exterioare ale supapelor pentru a expune tija de plastic dispusă la interiorul valvelor. Apăsați tija pentru a elibera aerul din interiorul tubului și rotiți-o pentru a bloca supapa în poziție deschisă. Dezumflați tuburile laterale până la 50-75% înainte de a dezumfla celelalte camere (chila etc.). Scoateți și dezasașblați podina.

Atenție: Nu dezumflați complet vreunul din tuburi în timp ce alte camere sunt complet umflate. Acest proces poate deteriora pereții bărcii Dvs.

ÎNTREȚINERE ȘI DEPOZITARE

- Pentru a curăța, folosiți un furtun cu apă pentru a îndepărta noroiul și alte resturi și lăsați barca să se usuce complet. Majoritatea tipurilor de murdărie pot fi eliminate cu un furtun obișnuit de grădină, burete și săpun. Nu folosiți substanțe chimice puternice pentru a curăța barca.
- Nu utilizați niciodată produse de lustruire sau de curățare care conțin alcool pentru a vă curăța ambarcațiunea. Acest lucru poate duce la uscarea prematură a materialului plutitor.
- Depozitați în loc uscat și curat. Nu depozitați barca la temperaturi extreme (ex. Peste +65 grade C / sub -23 grade C)
- În cazul în care intenționați să depozitați barca în husă pentru un timp îndelungat, nu folosiți talc sau pudre similare.
- Poate fi depozitată atât umflată cât și dezumflată.
- În cazul în care intenționați să depozitați barca în aer liber, recomandăm să o țineți ridicată de la sol.
- În cazul în care în timpul depozitarii pe termen lung barca poate fi expusă soarelui intens, intemperiiilor, crengilor sau căderilor de fructe, recomandăm să o acoperiți cu o prelată.
- Nu recomandăm agățarea bărcii.
- În cazul în care depozitați barca pe termen lung pe apă, foarte probabil veți fi nevoiți să scurgeți regulat apa de ploaie strânsă la interior. În cazul în care depozitați barca în debara, subsol sau garaj, asigurați-vă că locul este răcoros și uscat iar barca a fost uscată

perfect înainte de împachetare. În caz contrar, riscați apariția mucegaului.

- Nu depozitați niciodată barca cu un motor ce încă are combustibil în încăperi unde vaporii pot intra în contact cu potențiale surse de aprindere.

DEPANARE

1. Scurgeri

După 2 sau 3 zile de folosire puteți observa o mică scădere a presiunii din tuburi datorită schimbărilor de temperatură. În cazul în care acest fenomen se întâmplă, folosiți pompa pentru a ridica presiunea din fiecare cameră. În cazul în care barca va continua să piardă aer și în mod evident nu este datorită scăderii temperaturilor, verificați pentru prezența scurgerilor, începând cu supapele de presiune. Scurgerile prin supape sunt rare, însă dacă găsiți o astfel de problemă, vă putem trimite imediat supape de schimb. Pentru detectarea scurgerilor vă recomandăm să amestecați apă și săpun într-un recipient cu pulverizator. Pulverizați amestecul în jurul valvei. În cazul în care observați formarea bulelor, verificați capacul și prinderile supapei și asigurați-vă că sunt fixate corect. În cazul în care continuați să observați scurgeri, supapele trebuie înlocuite. Schimbarea supapei este ușor de realizat cu ajutorul unei unelte simple care se livrează împreună cu ansamblul de schimb.

2. Descoperirea înțepăturilor

În cazul în care barca pierde aer iar supapele nu sunt responsabile, foarte probabil veți fi nevoiți să identificați o înțepătură. Înțepăturile de dimensiuni mici pot fi reparate ușor și pentru un timp îndelungat. Pulverizați un amestec de săpun pe toate suprafețele până identificați poziționarea înțepăturii prin observarea bulelor formate. În cazul în care nu reușiți să identificați înțepătura din prima încercare cu ajutorul bulelor, umflați barca la maximum și încercați să auziți șuieratul specific pierderilor de aer. În cazul în care puteți identifica zona probabilă, pulverizați din nou pe acea porțiune. Efectuarea reparațiilor mici. Înțepăturile mai mici de 3mm / 1/8 inchi pot fi reparate fără folosirea peticelor dedicate. Dezumflați barca, curățați și uscați perfect zona ce necesită reparații.

Aplicați picături mici de adeziv peste înțepătură și lăsați la uscat pentru 12 ore. În cazul în care aveți nevoie să folosiți barca mai repede, lăsați la uscat 30 minute și umflați barca, ținând însă compartimentul de reparat la doar $\frac{3}{4}$ din capacitate. Acest tip de reparație va rezista mai puțin așa că adăugați ulterior încă o picătură de adeziv pentru a închide complet înțepătura.

3. Rupturi sau tăieturi

Bărcile Fox se livrează cu un kit de reparații dedicat, ca parte a pachetului standard. În cazul în care nu mai aveți acest kit, puteți comanda unul de la toți distribuitorii Fox. Tăiați o bucată de material suficient de mare pentru a depăși marginile rupturii cu aprox. 12mm / $\frac{1}{2}$ inch și rotunjiți marginile. Aplicați lipiciul din kit pe o parte a peticului și în jurul zonei ce necesită reparații. Atenție – prea mult lipici va dăuna procesului de reparație. Lăsați adezivului 2-4 minute pentru a deveni lipicios și așezați peticul deasupra zonei dorite. Folosiți o greutate pentru a aplica 1.5 – 2.2kg de presiune pentru 12 ore. După ce peticul s-a uscat, aplicați adeziv și în jurul marginilor pentru a etanșa perfect (lăsați la uscat pentru 4 ore).

4. Reparații de anvergură

În cazul în care aveți nevoie de reparații de anvergură, vă recomandăm să contactați departamentul de Relații cu Clienții, iar colegii noștri vă vor oferi cele mai bune sfaturi.

5. În cazul în care observați apă intrând în barcă, verificați următoarele:

- Dacă supapa de scurgere este deschisă
- Dacă diafragma supapei de scurgere funcționează corect
- Dacă apa este provenită din ploii recente
- Dacă podeaua este găurită

Înregistrarea garanției

Puteți înregistra garanția bărcii Dvs. direct pe site-ul Fox – www.foxint.com
 Conectați-vă sau creați un cont pentru a începe procesul de înregistrare. Pentru a completa procesul aveți nevoie de codul de produs, data și locul achiziției. După înregistrare, păstrați Codul de Referință Client pentru a consulta detaliile garanției în contul Dvs. Fox.

Garanția nu acoperă următoarele scenarii

- Umflarea tuburilor cu o presiune mai mare de 0.25 bar / 3.63 psi
- Pierderile de aer datorate schimbărilor de temperatură
- Pierderile de aer prin valva de supra-presiune la temperaturi înalte
- Cutele de împăturire. Apariția lor este normală, cutele dispărând în timpul folosirii
- Petele de lipici. Toate bărcile Fox sunt asamblate manual, astfel încât petele de lipici pot apărea ocazional.
- Micile imperfecțiuni de lipire ce nu afectează funcționalitatea.
- Pierderile mici de aer în perioade de 48h (până la 20% din presiunea optimă de folosire)
- Daunele provocate de folosirea solvenților de orice tip
- Daunele provocate de scurgerile bateriilor, a combustibililor și a uleiului.
- Daunele provocate de oă, cremă / ulei de protecție solară.
- Daunele provocate de spray-uri împotriva insectelor.
- Daunele provocate de folosirea defectuoasă
- Daunele provocate de curățarea la presiune înaltă.
- Daunele provocate de soluții agresive de curățare.
- Daunele provocate de montarea / demontarea bărcii.
- Daunele provocate de depozitarea greșită și ventilație insuficientă.
- Daunele provocate de curățarea și întreținerea improprie a bărcii
- Daunele apărute la transport.
- Daunele provocate de folosirea compresoarelor pentru umflarea / dezumflarea bărcii.
- Daunele inerente folosirii în condiții normale.
- Daunele provocate de loviri.
- Daunele provocate de animale.
- Daunele provocate de apă la interiorul tuburilor.
- Daunele provocate de forțe exterioare sau de manipulare agresivă.
- Daunele provocate de participarea la diverse întreceri organizate.

- Daunele provocate de folosirea unor accesorii neautorizate.
- Daunele provocate de folosirea unui motor mai greu și/sau mai puternic decât parametrii specificați.
- Daunele provocate de depășirea greutății maxime admise și a numărului de persoane recomandat.

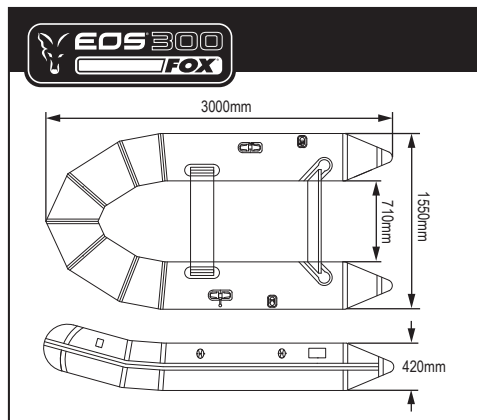
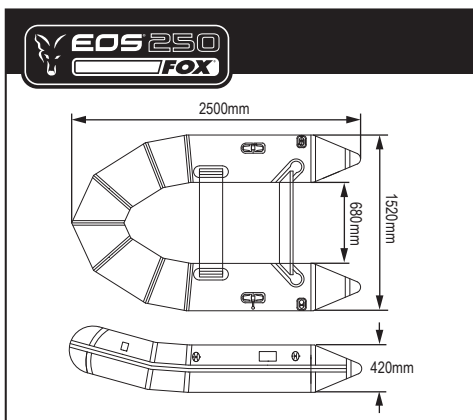
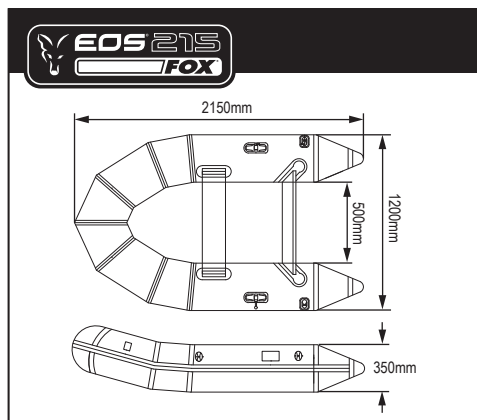
* Drepturile Dvs. statutare nu sunt afectate în niciuna dintre situațiile prezentate mai sus.

În cazul în care problema Dvs. este acoperită de sistemul de garanție vă rugăm să procedați în felul următor:

1. Contactați distribuitorul de la care ați achiziționat barca și explicați-i problema Dvs.
2. Distribuitorul va trimite către Fox dovada cumpărării, fotografiile și o explicație comprehensivă a problemei.
3. Vă vom confirma dacă problema este acoperită de garanție.
4. După această confirmare, distribuitorul va trimite o cerere de curierat către Fox, iar noi vom aranja preluarea bărcii.
5. După primire vom inspecta barca pentru a decide în privința reparațiilor sau a înlocuirii.

SPECIFICAȚIILE BĂRCII

Model	Podina	Lungime (cm)	Latime (cm)	Camere	Balon (cm)	Persoane	Sarcina maxima (kg)	Putere (cp)
Fox EOS 215 Green	Slat	215	120	3	35	1	200	2.95
Fox EOS 250 Green	Slat	250	152	3	42	2	260	6.7
Fox EOS 300 Green	Slat	300	155	3	42	4	416	9.5



DECLARAȚIE DE CONFORMITATE

Prin prezenta, Fox International Group LTD declară că bărcile Fox EOS (CIB036 și CIB037) sunt în conformitate cu Directiva Uniunii Europene privind Ambarcațiuni Personale și Ambarcațiuni de Agreement 2013/53/UE precum și cu Regulamentul Regatului Unit al Marii Britanii privind Ambarcațiuni de Agreement (2017).

Declarația de Conformitate poate fi consultată integral la următoarea adresă:

<https://www.foxint.com/ro/suport/declarations-of-conformity/>

www.foxint.com

eurocustomerservices@ratheroutdoors.com



www.foxint.com

Fox is a registered trade mark
Made in China

Fox International Group Limited
1 Myrtle Road, Brentwood, Essex CM14 5EG

