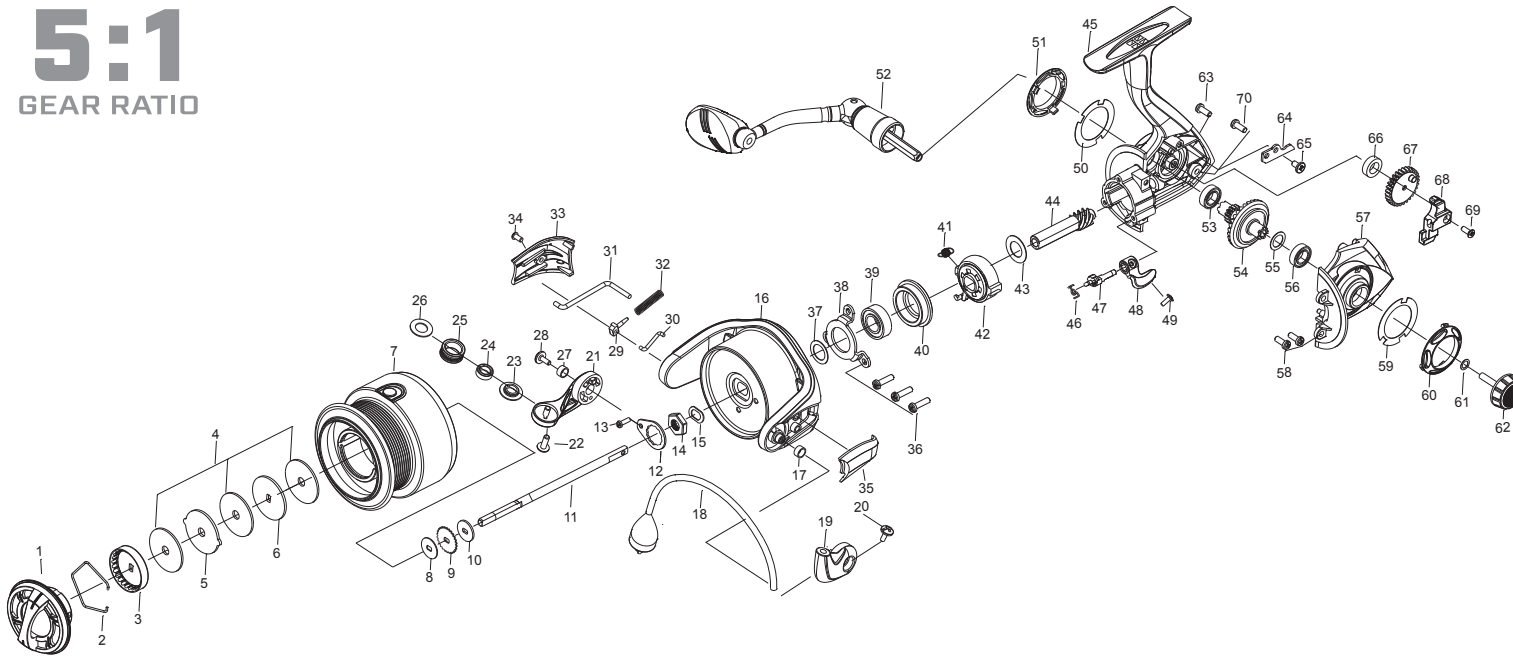




5:1
GEAR RATIO

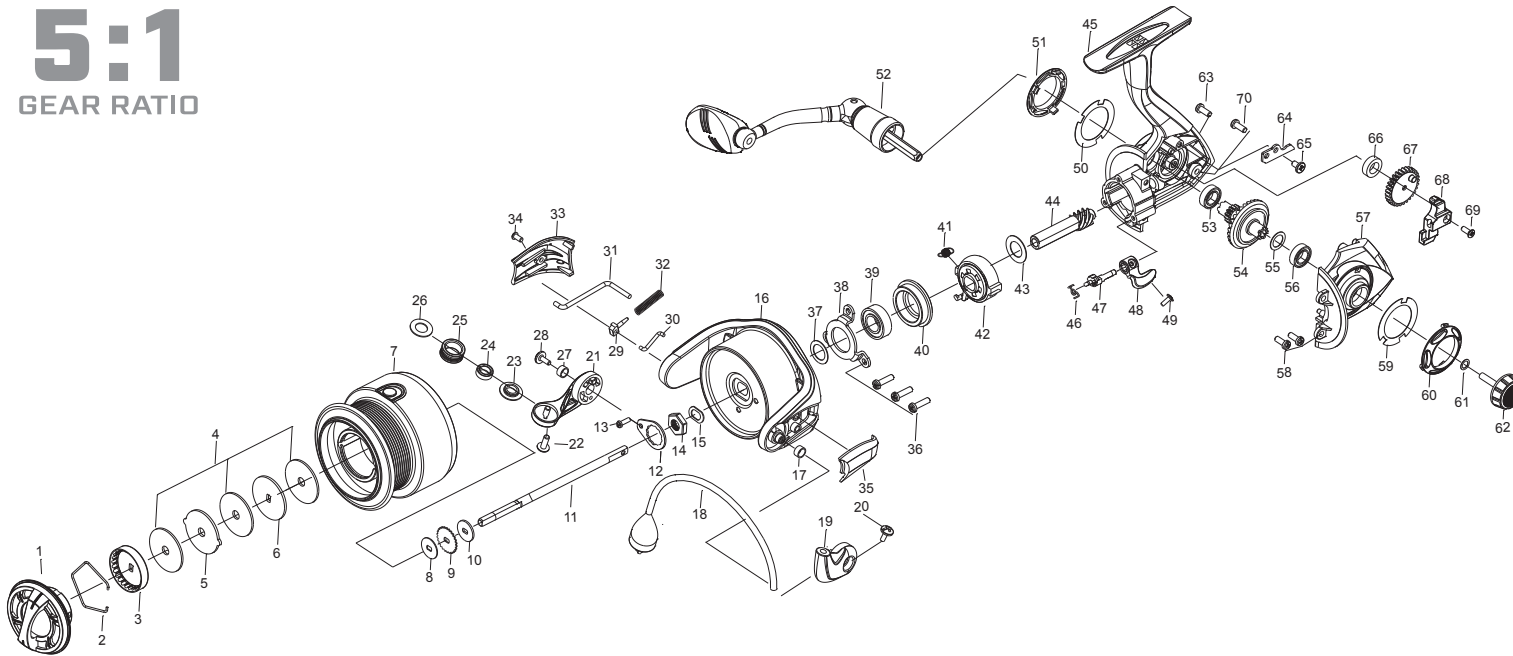


No	Parts Name
1	FRONT DRAG KNOB ASSEMBLY
2	DRAG RETAINER
3	DRAG CLICKER CAP
4	DRAG WASHERS
5	FIXED METAL WASHER
6	ROTATING METAL WASHER
7	AQUOS 3000 SPOOL
8	SPOOL WASHER
9	CLICK RATCHET
10	MAIN SHAFT WASHER
11	MAIN SHAFT
12	LOCKING WASHER
13	LOCKING WASHER SCREW
14	ROTOR NUT
15	ROTOR WASHER
16	ROTOR
17	BAIL ARM PIVOT BUSH
18	BAIL ARM ASSEMBLY
19	BAIL ARM PIVOT
20	PIVOT SCREW
21	LINE ROLLER BOSS
22	LINE ROLLER SCREW
23	LINE ROLLER END PLATE
24	LINE ROLLER BEARING
25	LINE ROLLER
26	LINE ROLLER WASHER
27	LINE ROLLER BOSS BUSH
28	BOSS SCREW
29	SPRING HOLDER
30	LEVER
31	BAIL ARM PUSH ROD
32	BAIL ARM SPRING
33	ROTOR SIDE COVER
34	SIDE COVER SCREW
35	ROTOR SIDE COVER 2

No	Parts Name
36	BEARING PLATE SCREWS
37	BEARING WASHER
38	BEARING PLATE
39	MAIN SHAFT BEARING
40	BEARING HOLDER
41	BEARING SPRING
42	ANTI REVERSE BEARING
43	PINION WASHER
44	PINION GEAR
45	AQUOS 3000 BODY
46	ANTI REVERSE LEVER SPRING
47	ANTI REVERSE LINKAGE
48	ANTI REVERSE LEVER
49	LEVER SCREW
50	DECORATIVE COVER PLATE
51	DECORATIVE COVER
52	AQUOS 3000 HANDLE
53	MAIN GEAR BEARING
54	MAIN GEAR
55	MAIN GEAR SHIM
56	MAIN GEAR BEARING
57	AQUOS 3000 SIDE COVER
58	SIDE COVER SCREWS
59	DECORATIVE COVER PLATE
60	DECORATIVE COVER
61	HANDLE SCREW WASHER
62	HANDLE SCREW
63	SIDE COVER SCREW
64	RETAINER PLATE
65	RETAINER PLATE SCREW
66	OSCILLATION GEAR BEARING
67	OSCILLATION GEAR
68	OSCILLATION BLOCK
69	BLOCK SCREW
70	SIDE COVER SCREW



5:1
GEAR RATIO



No	Parts Name
1	FRONT DRAG KNOB ASSEMBLY
2	DRAG RETAINER
3	DRAG CLICKER CAP
4	DRAG WASHERS
5	FIXED METAL WASHER
6	ROTATING METAL WASHER
7	AQUOS 4000 SPOOL
8	SPOOL WASHER
9	CLICK RATCHET
10	MAIN SHAFT WASHER
11	MAIN SHAFT
12	LOCKING WASHER
13	LOCKING WASHER SCREW
14	ROTOR NUT
15	ROTOR WASHER
16	ROTOR
17	BAIL ARM PIVOT BUSH
18	BAIL ARM ASSEMBLY
19	BAIL ARM PIVOT
20	PIVOT SCREW
21	LINE ROLLER BOSS
22	LINE ROLLER SCREW
23	LINE ROLLER END PLATE
24	LINE ROLLER BEARING
25	LINE ROLLER
26	LINE ROLLER WASHER
27	LINE ROLLER BOSS BUSH
28	BOSS SCREW
29	SPRING HOLDER
30	LEVER
31	BAIL ARM PUSH ROD
32	BAIL ARM SPRING
33	ROTOR SIDE COVER
34	SIDE COVER SCREW
35	ROTOR SIDE COVER 2

No	Parts Name
36	BEARING PLATE SCREWS
37	BEARING WASHER
38	BEARING PLATE
39	MAIN SHAFT BEARING
40	BEARING HOLDER
41	BEARING SPRING
42	ANTI REVERSE BEARING
43	PINION WASHER
44	PINION GEAR
45	AQUOS 4000 BODY
46	ANTI REVERSE LEVER SPRING
47	ANTI REVERSE LINKAGE
48	ANTI REVERSE LEVER
49	LEVER SCREW
50	DECORATIVE COVER PLATE
51	DECORATIVE COVER
52	AQUOS 4000 HANDLE
53	MAIN GEAR BEARING
54	MAIN GEAR
55	MAIN GEAR SHIM
56	MAIN GEAR BEARING
57	AQUOS 4000 SIDE COVER
58	SIDE COVER SCREWS
59	DECORATIVE COVER PLATE
60	DECORATIVE COVER
61	HANDLE SCREW WASHER
62	HANDLE SCREW
63	SIDE COVER SCREW
64	RETAINER PLATE
65	RETAINER PLATE SCREW
66	OSCILLATION GEAR BEARING
67	OSCILLATION GEAR
68	OSCILLATION BLOCK
69	BLOCK SCREW
70	SIDE COVER SCREW