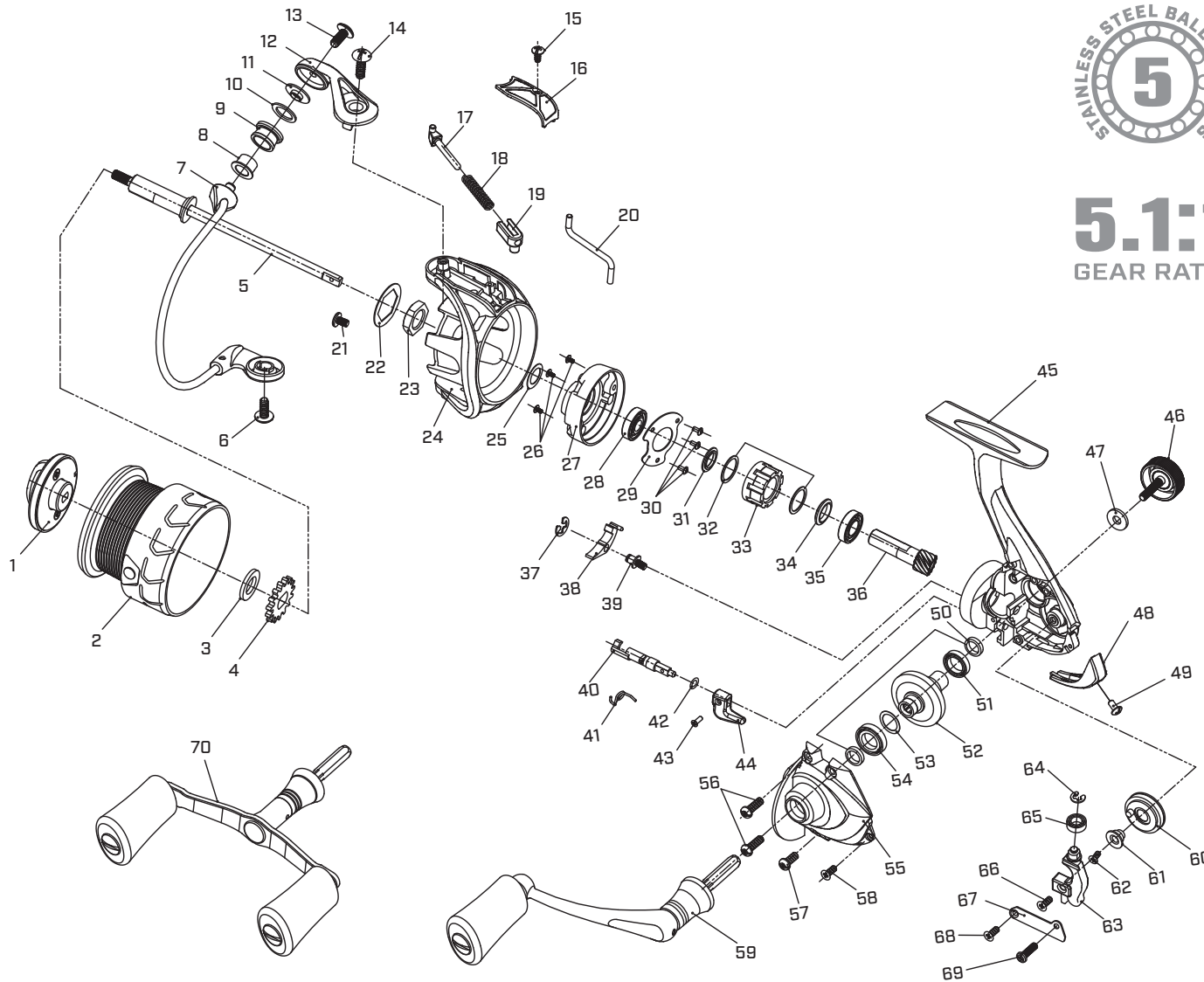




5.1:1
GEAR RATIO

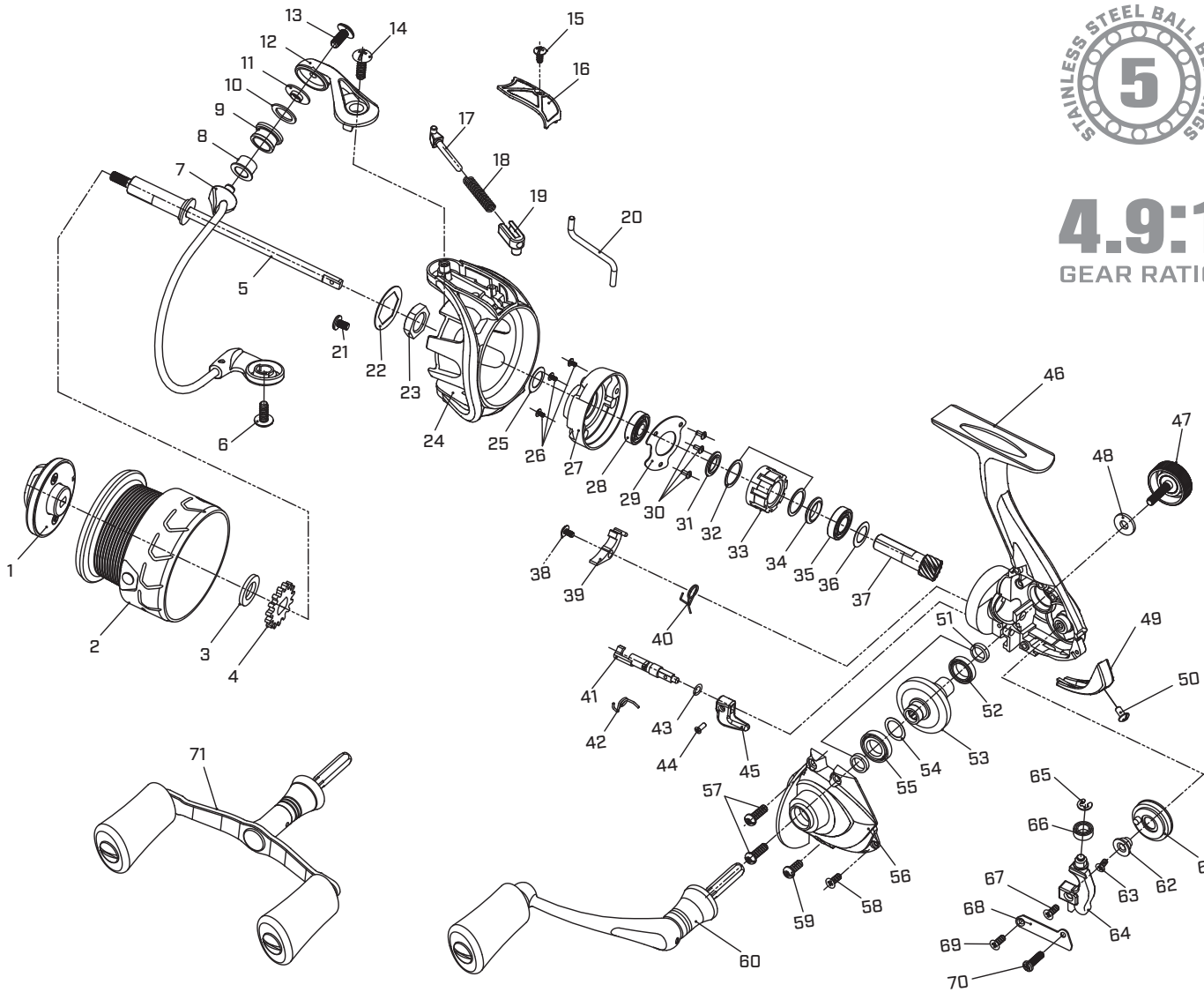


No	Parts Name
1	FRONT DRAG KNOB ASSEMBLY
2	HORIZON X 3000 SPOOL
3	SPOOL WASHER
4	CLICK RATCHET
5	MAIN SHAFT
6	PIVOT SCREW
7	BAIL ARM ASSEMBLY
8	LINE ROLLER SLEEVE
9	LINE ROLLER
10	LINE ROLLER WASHER
11	LINE ROLLER END PLATE
12	LINE ROLLER BOSS
13	LINE ROLLER SCREW
14	BOSS SCREW
15	ROTOR SIDE COVER SCREW
16	ROTOR SIDE COVER
17	SPRING LINK
18	BAIL ARM SPRING
19	SPRING HOLDER
20	BAIL ARM PUSH ROD
21	LOCKING WASHER SCREW
22	LOCKING WASHER
23	ROTOR NUT
24	ROTOR
25	BEARING WASHER
26	BEARING COVER SCREW
27	BEARING COVER
28	MAIN SHAFT BEARING
29	BEARING COVER PLATE
30	BEARING COVER PLATE SCREWS
31	BEARING SPACER
32	BEARING WASHER
33	ANTI REVERSE BEARING
34	ANTI REVERSE SPACER
35	MAIN SHAFT BEARING
36	PIVOT SCREW
37	PAWL RETAINING CLIP
38	ANTI REVERSE PAWL
39	PIVOT STUD
40	ANTI REVERSE LINKAGE
41	ANTI REVERSE LEVER SPRING
42	LINKAGE O RING
43	LEVER SCREW
44	ANTI REVERSE LEVER
45	HORIZON X 3000 BODY
46	HANDLE SCREW
47	HANDLE SCREW WASHER
48	REAR COVER
49	REAR COVER SCREW
50	MAIN GEAR SPACER
51	MAIN GEAR BEARING
52	MAIN GEAR
53	MAIN GEAR WASHER
54	MAIN GEAR BEARING
55	HORIZON X 3000 SIDE COVER
56	SIDE COVER SCREWS
57	SIDE COVER SCREW
58	SIDE COVER SCREW
59	HORIZON X 3000 SINGLE HANDLE
60	OSCILLATION GEAR
61	OSCILLATION GEAR COVER
62	GEAR RETAINING SCREW
63	OSCILLATION BLOCK
64	SELF LOCKING WASHER
65	OSCILLATION BLOCK BEARING
66	OSCILLATION BLOCK SCREW
67	RETAINER PLATE
68	RETAINER PLATE SCREW
69	RETAINER PLATE SCREW
70	HORIZON X 3000 DOUBLE HANDLE

No	Parts Name
36	PIVOT SCREW
37	PAWL RETAINING CLIP
38	ANTI REVERSE PAWL
39	PIVOT STUD
40	ANTI REVERSE LINKAGE
41	ANTI REVERSE LEVER SPRING
42	LINKAGE O RING
43	LEVER SCREW
44	ANTI REVERSE LEVER
45	HORIZON X 3000 BODY
46	HANDLE SCREW
47	HANDLE SCREW WASHER
48	REAR COVER
49	REAR COVER SCREW
50	MAIN GEAR SPACER
51	MAIN GEAR BEARING
52	MAIN GEAR
53	MAIN GEAR WASHER
54	MAIN GEAR BEARING
55	HORIZON X 3000 SIDE COVER
56	SIDE COVER SCREWS
57	SIDE COVER SCREW
58	SIDE COVER SCREW
59	HORIZON X 3000 SINGLE HANDLE
60	OSCILLATION GEAR
61	OSCILLATION GEAR COVER
62	GEAR RETAINING SCREW
63	OSCILLATION BLOCK
64	SELF LOCKING WASHER
65	OSCILLATION BLOCK BEARING
66	OSCILLATION BLOCK SCREW
67	RETAINER PLATE
68	RETAINER PLATE SCREW
69	RETAINER PLATE SCREW
70	HORIZON X 3000 DOUBLE HANDLE



4.9:1
GEAR RATIO

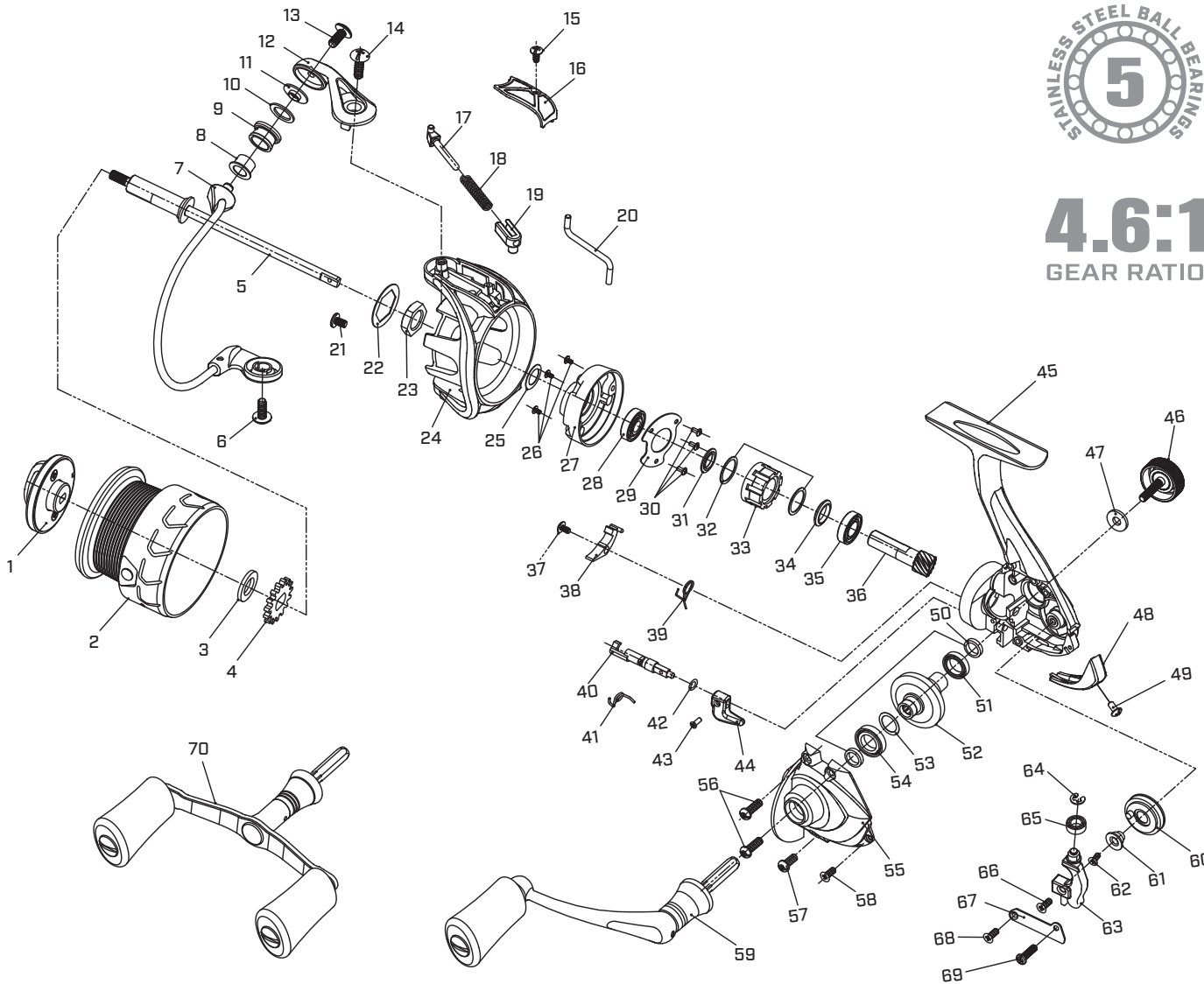


No	Parts Name
1	FRONT DRAG KNOB ASSEMBLY
2	HORIZON X 4000 SPOOL
3	SPOOL WASHER
4	CLICK RATCHET
5	MAIN SHAFT
6	PIVOT SCREW
7	BAIL ARM ASSEMBLY
8	LINE ROLLER SLEEVE
9	LINE ROLLER
10	LINE ROLLER WASHER
11	LINE ROLLER END PLATE
12	LINE ROLLER BOSS
13	LINE ROLLER SCREW
14	BOSS SCREW
15	ROTOR SIDE COVER SCREW
16	ROTOR SIDE COVER
17	SPRING LINK
18	BAIL ARM SPRING
19	SPRING HOLDER
20	BAIL ARM PUSH ROD
21	LOCKING WASHER SCREW
22	LOCKING WASHER
23	ROTOR NUT
24	ROTOR
25	BEARING WASHER
26	BEARING COVER SCREW
27	BEARING COVER
28	MAIN SHAFT BEARING
29	BEARING COVER PLATE
30	BEARING COVER PLATE SCREWS
31	BEARING SPACER
32	BEARING WASHER
33	ANTI REVERSE BEARING
34	ANTI REVERSE SPACER
35	MAIN SHAFT BEARING
36	PINION WASHER
37	PINION GEAR
38	PAWL RETAINING SCREW
39	ANTI REVERSE PAWL
40	CLICK RATCHET
41	ANTI REVERSE LINKAGE
42	ANTI REVERSE LEVER SPRING
43	LINKAGE O RING
44	LEVER SCREW
45	ANTI REVERSE LEVER
46	HORIZON X 4000 BODY
47	HANDLE SCREW
48	HANDLE SCREW WASHER
49	REAR COVER
50	REAR COVER SCREW
51	MAIN GEAR SPACER
52	MAIN GEAR BEARING
53	MAIN GEAR
54	MAIN GEAR WASHER
55	MAIN GEAR BEARING
56	HORIZON X 4000 SIDE COVER
57	SIDE COVER SCREWS
58	SIDE COVER SCREW
59	SIDE COVER SCREW
60	HORIZON X 4000 SINGLE HANDLE
61	OSCILLATION GEAR
62	OSCILLATION GEAR COVER
63	GEAR RETAINING SCREW
64	OSCILLATION BLOCK
65	SELF LOCKING WASHER
66	OSCILLATION BLOCK BEARING
67	OSCILLATION BLOCK SCREW
68	RETAINER PLATE
69	RETAINER PLATE SCREW
70	RETAINER PLATE SCREW
71	HORIZON X 4000 DOUBLE HANDLE
-	-

No	Parts Name
37	PINION GEAR
38	PAWL RETAINING SCREW
39	ANTI REVERSE PAWL
40	CLICK RATCHET
41	ANTI REVERSE LINKAGE
42	ANTI REVERSE LEVER SPRING
43	LINKAGE O RING
44	LEVER SCREW
45	ANTI REVERSE LEVER
46	HORIZON X 4000 BODY
47	HANDLE SCREW
48	HANDLE SCREW WASHER
49	REAR COVER
50	REAR COVER SCREW
51	MAIN GEAR SPACER
52	MAIN GEAR BEARING
53	MAIN GEAR
54	MAIN GEAR WASHER
55	MAIN GEAR BEARING
56	HORIZON X 4000 SIDE COVER
57	SIDE COVER SCREWS
58	SIDE COVER SCREW
59	SIDE COVER SCREW
60	HORIZON X 4000 SINGLE HANDLE
61	OSCILLATION GEAR
62	OSCILLATION GEAR COVER
63	GEAR RETAINING SCREW
64	OSCILLATION BLOCK
65	SELF LOCKING WASHER
66	OSCILLATION BLOCK BEARING
67	OSCILLATION BLOCK SCREW
68	RETAINER PLATE
69	RETAINER PLATE SCREW
70	RETAINER PLATE SCREW
71	HORIZON X 4000 DOUBLE HANDLE
-	-



4.6:1
GEAR RATIO



No	Parts Name
1	FRONT DRAG KNOB ASSEMBLY
2	HORIZON X 5000 SPOOL
3	SPOOL WASHER
4	CLICK RATCHET
5	MAIN SHAFT
6	PIVOT SCREW
7	BAIL ARM ASSEMBLY
8	LINE ROLLER SLEEVE
9	LINE ROLLER
10	LINE ROLLER WASHER
11	LINE ROLLER END PLATE
12	LINE ROLLER BOSS
13	LINE ROLLER SCREW
14	BOSS SCREW
15	ROTOR SIDE COVER SCREW
16	ROTOR SIDE COVER
17	SPRING LINK
18	BAIL ARM SPRING
19	SPRING HOLDER
20	BAIL ARM PUSH ROD
21	LOCKING WASHER SCREW
22	LOCKING WASHER
23	ROTOR NUT
24	ROTOR
25	BEARING WASHER
26	BEARING COVER SCREW
27	BEARING COVER
28	MAIN SHAFT BEARING
29	BEARING COVER PLATE
30	BEARING COVER PLATE SCREWS
31	BEARING SPACER
32	BEARING WASHER
33	ANTI REVERSE BEARING
34	ANTI REVERSE SPACER
35	MAIN SHAFT BEARING
36	PINION GEAR
37	PAWL RETAINING SCREW
38	ANTI REVERSE PAWL
39	PAWL SPRING
40	ANTI REVERSE LINKAGE
41	ANTI REVERSE LEVER SPRING
42	LINKAGE O RING
43	LEVER SCREW
44	ANTI REVERSE LEVER
45	HORIZON X 5000 BODY
46	HANDLE SCREW
47	HANDLE SCREW WASHER
48	REAR COVER
49	REAR COVER SCREW
50	MAIN GEAR SPACER
51	MAIN GEAR BEARING
52	MAIN GEAR
53	MAIN GEAR WASHER
54	MAIN GEAR BEARING
55	HORIZON X 5000 SIDE COVER
56	SIDE COVER SCREWS
57	SIDE COVER SCREW
58	SIDE COVER SCREW
59	HORIZON X 5000 SINGLE HANDLE
60	OSCILLATION GEAR
61	OSCILLATION GEAR COVER
62	GEAR RETAINING SCREW
63	OSCILLATION BLOCK
64	SELF LOCKING WASHER
65	OSCILLATION BLOCK BEARING
66	OSCILLATION BLOCK SCREW
67	RETAINER PLATE
68	RETAINER PLATE SCREW
69	RETAINER PLATE SCREW
70	HORIZON X 5000 DOUBLE HANDLE

No	Parts Name
36	PINION GEAR
37	PAWL RETAINING SCREW
38	ANTI REVERSE PAWL
39	PAWL SPRING
40	ANTI REVERSE LINKAGE
41	ANTI REVERSE LEVER SPRING
42	LINKAGE O RING
43	LEVER SCREW
44	ANTI REVERSE LEVER
45	HORIZON X 5000 BODY
46	HANDLE SCREW
47	HANDLE SCREW WASHER
48	REAR COVER
49	REAR COVER SCREW
50	MAIN GEAR SPACER
51	MAIN GEAR BEARING
52	MAIN GEAR
53	MAIN GEAR WASHER
54	MAIN GEAR BEARING
55	HORIZON X 5000 SIDE COVER
56	SIDE COVER SCREWS
57	SIDE COVER SCREW
58	SIDE COVER SCREW
59	HORIZON X 5000 SINGLE HANDLE
60	OSCILLATION GEAR
61	OSCILLATION GEAR COVER
62	GEAR RETAINING SCREW
63	OSCILLATION BLOCK
64	SELF LOCKING WASHER
65	OSCILLATION BLOCK BEARING
66	OSCILLATION BLOCK SCREW
67	RETAINER PLATE
68	RETAINER PLATE SCREW
69	RETAINER PLATE SCREW
70	HORIZON X 5000 DOUBLE HANDLE